

**ELO stainless steel single hook, brushed finish**

Reference: **AM-16-S**



**Description**

ELO simple wall-mounted hook in brushed stainless steel finish, offering robustness and durability.

Easy to install.

Aesthetic and functional design with a stable base, allows easy hanging of clothes or other items in public sanitary spaces.

**Features**

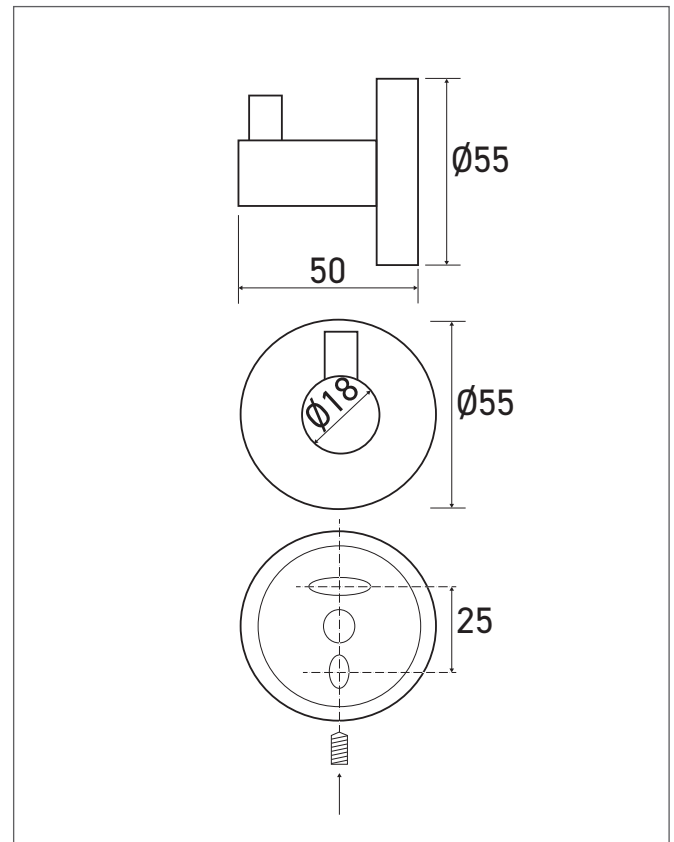
Stainless steel hook, brushed finish.

Invisible wall mounting (screws and plugs provided).

Locking by Allen screw concealed under the hook.

Dimensions:  $\varnothing 55 \times D50$  mm.

10-year warranty.



**Reference**

ELO single stainless steel hook

- **AM-16-S**    **Brushed stainless steel finish**