

ELO Double coat hook, matte black finish

Reference: **AM-18-N**



Description

ELO double wall-mounted hook, matte black finish, offering robustness and durability.

Easy to install.

Aesthetic and functional design with a stable base, allows easy hanging of clothes or other items in public sanitary spaces.

Features

Double brass hook, matte black finish.

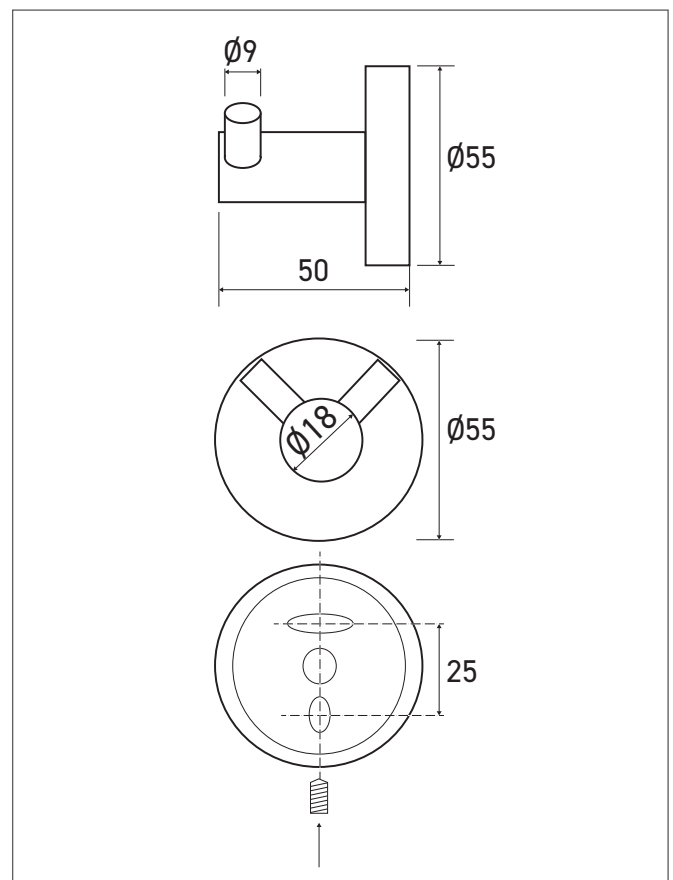
Invisible wall mounting (screws and plugs provided).

Locking by Allen screw concealed under the hook.

Weight: 0.169 kg

Dimensions: Ø55 x D50 mm

10-year warranty.



Reference

ELO double wall-mounted hook

- **AM-18-N** **matte black finish**