

5L stainless steel pedal bin with PVD matte gold finishReference: **AM-50-AB****Description**

5L stainless steel pedal bin, PVD matte gold Antique Bronze finish, with plastic liner and silent closing.

Features

In AISI 304 stainless steel, PVD matte gold Antique Bronze finish.

Floor standing.

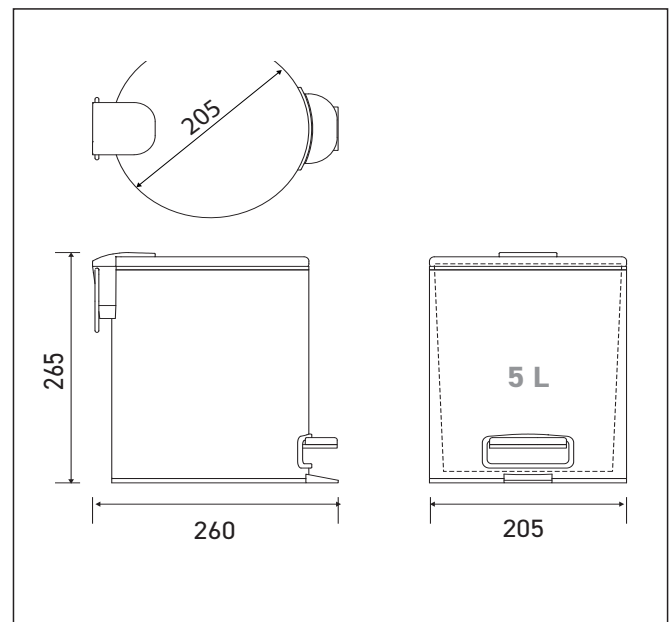
Inner bucket in PE with metal handle.

Integrated and hidden rod mechanism.

Capacity: 5 L

Dimensions: W205 x D260 x H265 mm.

2-years warranty.

**Reference**

Stainless steel pedal bin

- **AM-50-AB** PVD matte gold Antique Bronze finish