

Stainless steel feminine hygiene bin matte black

Reference: **B0-35139-N**



Description

Wall-mounted stainless steel feminine hygiene bin with tilting door, matte black finish, equipped with a magnetic latch and an opening limiter cable.

Minimalist design, easy maintenance.

Features

AISI 304 stainless steel quality thickness 0.9 mm, matte black finish.

Fully welded construction box.

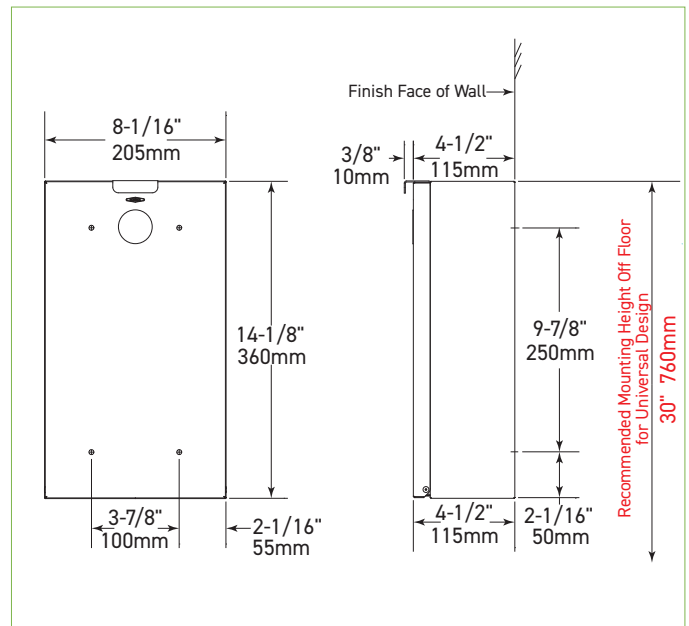
Door fixed by 2 rivets with magnetic latch.

International pictogram identifying feminine hygiene bin.

Removable stainless steel container with 2.3 L capacity for servicing.

Dimensions: W205 x D125 x H360 mm.

2 year warranty.



Reference

Wall-mounted stainless steel feminine hygiene bin

- **B0-35139-N** **matte black finish**