

**Recessed stainless steel feminine hygiene bin matte black**

Reference: **BO-35303-N**



**Description**

Recessed wall-mounted stainless steel feminine hygiene bin, with automatic closing flap, matte black finish.

Space-saving, less prone to vandalism and easy to maintain.

Functional with door for emptying the sealed bag holder.

**Features**

AISI 304 stainless steel, matte black finish.

Door thickness 1.2 mm with 14 mm edges folded at 90°, welded corners and full-height concealed stainless steel hinge, for maximum rigidity.

Without lock.

Flap with automatic spring closure and a full-length stainless steel piano hinge.

International pictogram identifying feminine hygiene bin.

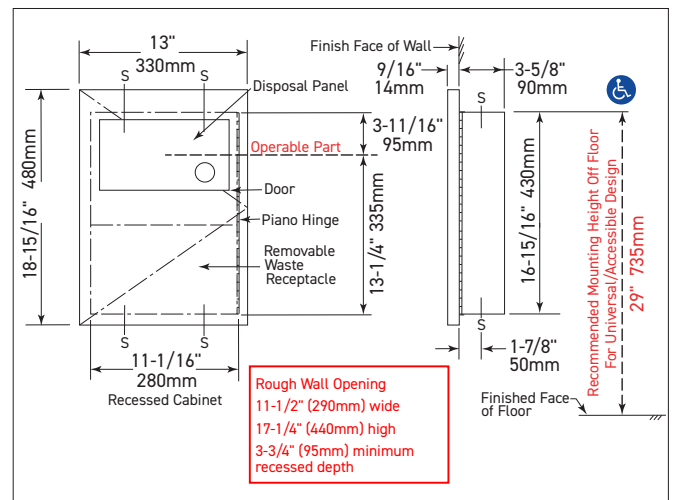
Fully welded construction recessed housing.

Sealed molded plastic container with 4.6 L capacity, removable for servicing.

Dimensions: W330 x D104 x H480 mm (including 90 mm recessed).

Wall recess: W290 x D95 x H440 mm.

2-year warranty.



**Reference**

Recessed wall-mounted sanitary bin for feminine hygiene

- **BO-35303-N**    **matte black finish**