

**Recessed stainless steel 12 L flip-top waste bin
matte black finish**

Reference: **B0-35633-N**



Description

Recessed wall-mounted stainless steel bin with automatic closing flap, matte black finish.

Maximises space in sanitary facilities with a minimalist design, door with flush lock.

Limits vandalism and facilitates maintenance.

Features

AISI 304 stainless steel, matte black finish.

Door thickness 1.2 mm with 14 mm edges folded at 90°, welded corners and full-height concealed stainless steel piano hinge, for maximum rigidity.

Opening limiter cable. Flush-mounted key lock.

Flap with automatic spring closure, secured by full-length stainless steel piano hinge.

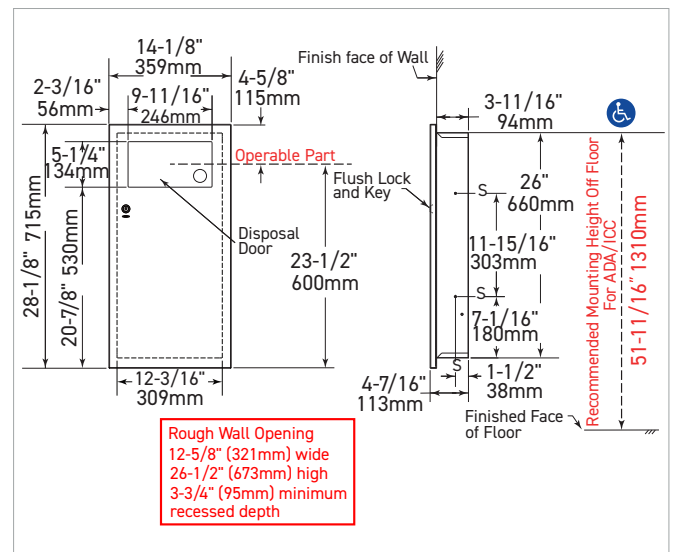
Fully welded construction recessed housing.

Fully welded stainless steel container, removable 12 L capacity.

Dimensions: W359 x D113 x H715 mm (including 94 mm recess).

Wall recess: W321 x D95 x H673 mm.

2-year warranty.



Reference

Recessed wall-mounted stainless steel bin with flap

- **B0-35633-N** matte black finish