

**Wall-mounted stainless steel flip-top waste bin
matte black finish**

Reference: **B0-35639-N**



Description

Recessed wall-mounted matte black stainless steel bin with PUSH flap and automatic closing.

Practical and hygienic, offering an elegant and modern design for communal facilities.

Limits vandalism and facilitates maintenance.

Features

AISI 304 stainless steel, matte black finish.

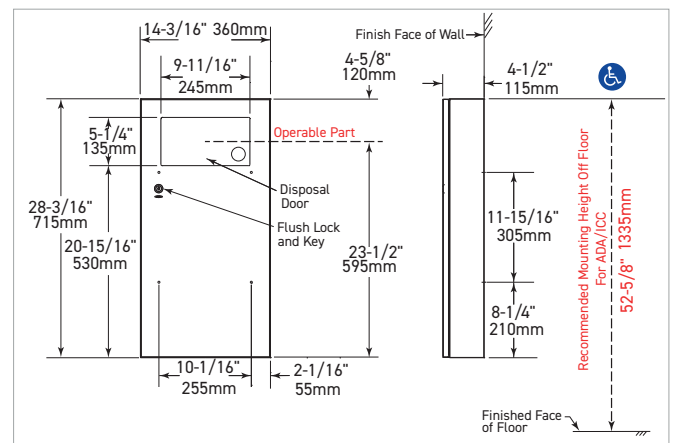
1.2 mm thick door with 14 mm edges folded at 90°, welded corners and full-height concealed stainless steel piano hinge, for maximum rigidity.

Opening limiter cable. Flush-mounted key lock.

Fully welded stainless steel container, removable 12 L capacity.

Dimensions: W360 x D115 x H715 mm.

2-year warranty.



Reference

Wall-mounted stainless steel bin with PUSH flap

- **B0-35639-N** matte black finish