

**Wall-mounted stainless steel 45L waste receptacle
matte black finish**

Reference: **B0-35649-N**



Description

Wall-mounted stainless steel bin with open trap, matte black finish.

Practical and hygienic, offering an elegant and modern design for communal facilities.

Limits vandalism and facilitates maintenance.

Features

AISI 304 stainless steel, matte black finish.

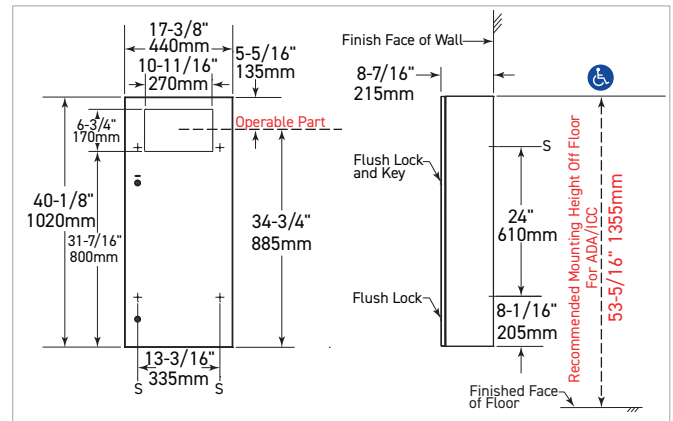
1.2 mm thick door with 14 mm edges folded at 90°, welded corners and full-height concealed stainless steel piano hinge, for maximum rigidity.

Opening limiter cable. Flush-mounted key locks.

Waterproof molded plastic container with a capacity of 45.4 L, removable for servicing.

Dimensions: W440 x D215 x H1020 mm.

2 year warranty.



Reference

Wall-mounted stainless steel bin with open trap

- **B0-35649-N** matte black finish