

**Matte black extra-flat waste trap with clic-clac or free-flow drain**

Reference: **BS-36N**



**Description**

Full set with H70 mm compact waste trap and 1 ¼" clic-clac drain (open/close by easy push-down action), can be converted to free-flow with fixed dome.

This washbasin drainage system is made up of the shortest possible waste trap in accordance with UNI EN 274, combined with a drain plug fixed directly to the trap by means of an internal screw, without the need for any other accessories.

By combining all components into one unit, this design saves space under the washbasin and improves access for PRM.

**Features**

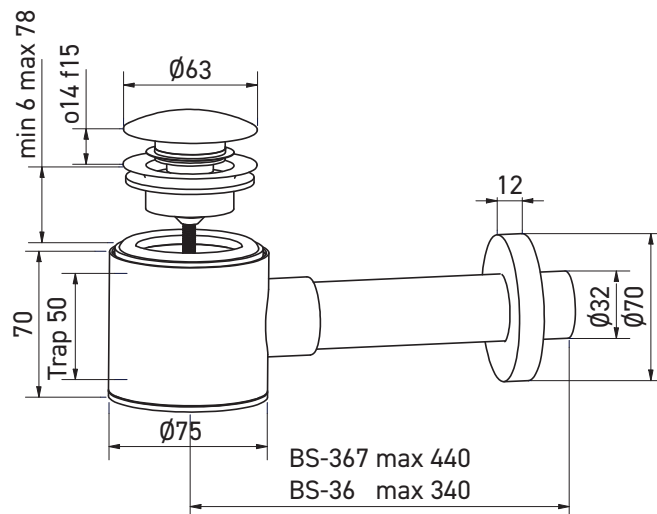
Trap and drain in matte black brass finish for 1 ¼" outlet.

Trap body: Ø75 x H70 mm.

Bottom opening for cleaning.

Includes Ø32 horizontal outlet tube W340 or 440 mm, and Ø70 mm rosette.

For basin with a maximum thickness of 78 mm.



**References model choices**

Matte black extra-flat waste trap and drain

- **BS-36N**      **300 mm horizontal outlet tube**
- **BS-367N**    **400 mm horizontal outlet tube**

**Options**

- Overflow spacer
- Finishes: brushed stainless steel, white, gold, copper, bronze... (contact us)
- Ceramic dome
- Angled waste pipe for lower wall outlet