

**Wall-mounted fully closed stainless steel drinking fountain  
PRM access**



Reference: **FB-006-T**

**Description**

Wall-mounted stainless steel drinking fountain, fully closed, suitable for People with Reduced Mobility.

Elegant and robust, it is specially designed for high-traffic areas such as schools, offices, train stations, gyms, etc.

Bottom section enclosed to conceal plumbing and additional protection against vandalism or dirt accumulation.

Stamped basin with an anti-drip rim all around the edge that directs water towards the drain, thus reducing the risk of slipping.

Rounded edges prevent injuries.

Integrated mounting brackets.

Rounded shape for easy and quick cleaning.



**Features**

AISI 304 stainless steel 1.2 mm thick, brushed finish.

Timed push-button mouthwash faucet. Adjustable flow rate.  
Stamped basin Ø 360 x H70 mm.

Anti-drip rim all around directing water towards the drain, thus reducing the risk of slipping.

Vandal-proof perforated drain.

Wall mounting and connections accessible through a lower access panel with security TORX screws.

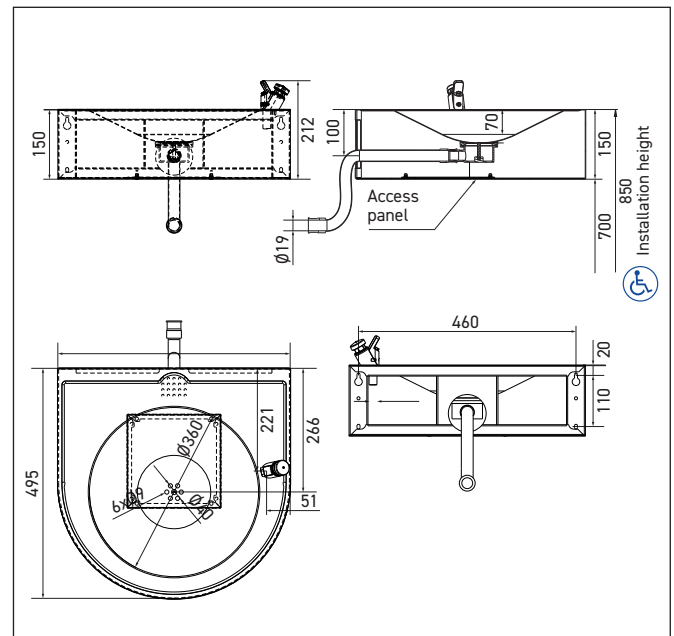
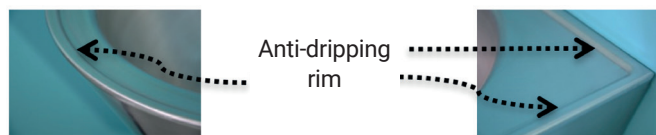
Invisible drainage pipe Ø19 mm.

Water inlet M 3/8".

Dimensions: W500 x D495 x H150 mm.

Weight 5 kg.

CE. 10-year warranty.



**Reference**

Wall-mounted stainless steel PRM fountain fully closed

- **FB-006-T**      **brushed stainless steel finish**

**Options**

- With touch-free automatic faucet
- With second gooseneck faucet
- With closed underside and access panel
- AISI 316 stainless steel quality (contact us, minimum quantity)