

Semi-pedestal stainless steel drinking fountain

References: **FP-002 / FP-003**

Description

Elegant and robust pedestal stainless steel drinking fountain, with basin in polished stainless steel finish and semi-column in brushed stainless steel finish.

Time-flow tap for mouth rinsing or glass filling, and optional gooseneck tap for filling carafes or bottles.

Backsplash to protect the wall from water and facilitate cleaning. Rounded shape for easy and quick maintenance.

Specially designed for high-traffic areas such as schools, offices, train stations, and malls.

Features

AISI 304 stainless steel 1 mm thick, brushed and polished finish.

Mouthwash faucet and gooseneck spout faucet in stainless steel with timed push-button controls and adjustable flow rate.

Vandal-proof perforated drain.

H30 mm backsplash.

Floor installation with wall fixing.

3 adjustable feet for levelling. Fixings supplied.

Ø19 mm pipe waste outlet.

M 3/8" water inlet.

Dim.: W350 x D360 x H910 mm.

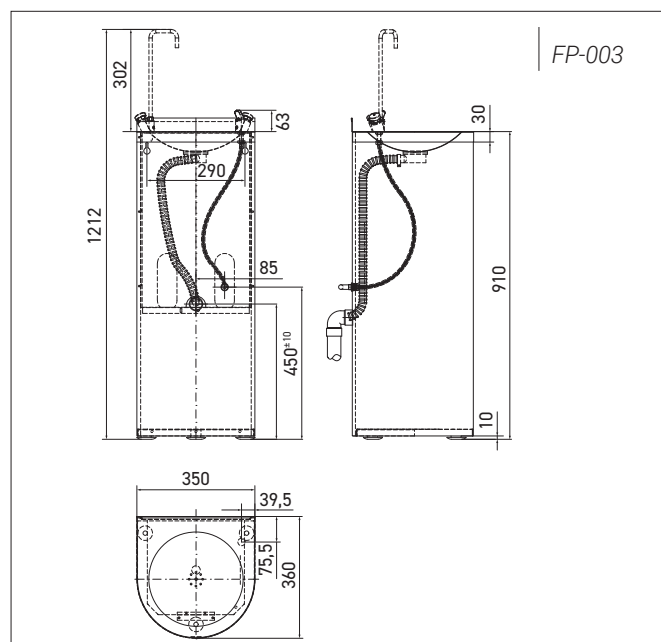
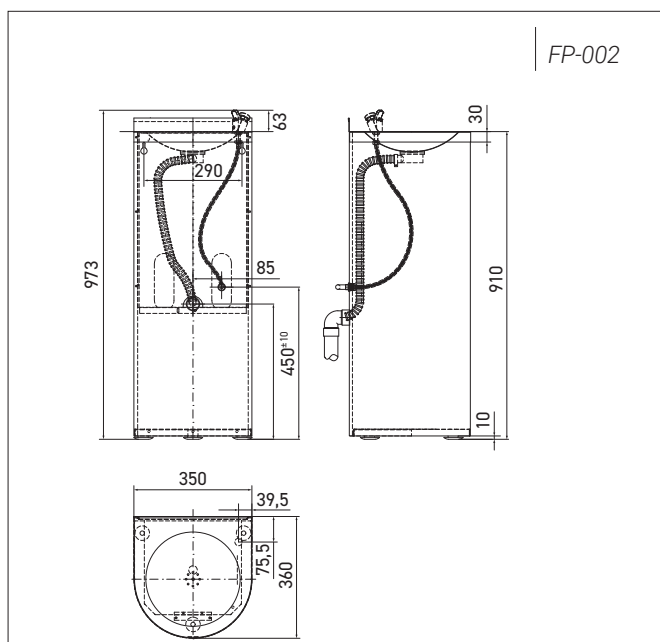
CE. 10-year warranty.



FP-002



FP-003



References model choices

Stainless steel semi-column drinking fountain

- **FP-002** with mouthwash faucet
- **FP-003** with mouthwash faucet and gooseneck spout

Options

- Touch-free drinking fountain (ref. FP-002E)
- AISI 316 stainless steel quality (please contact us, minimum quantity)