



Wall and floor-mounted grab bar

References: **IB-07-S / IB-07-B**



IB-07-S

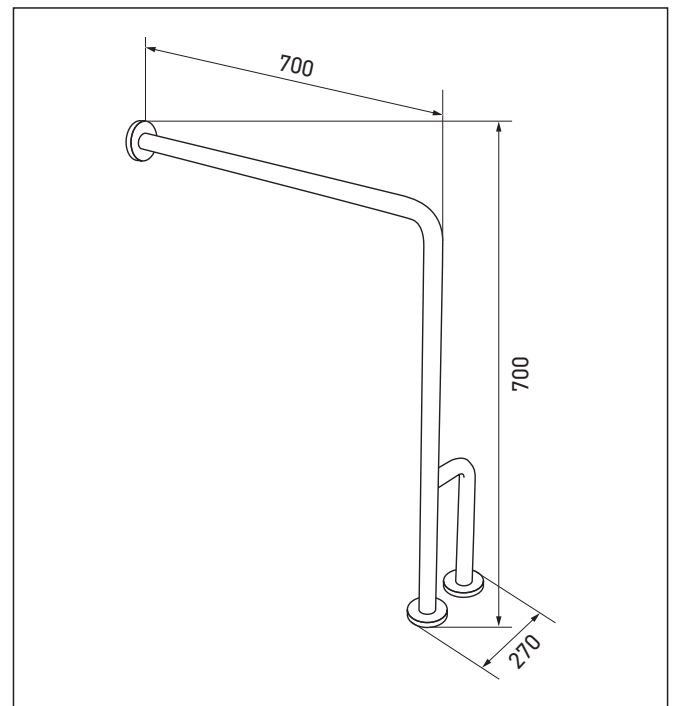
Description

Wall and floor-mounted grab and support bar.
 Recommended for toilets set away from the wall.
 Second welded foot for reinforced floor fixing,
 on the left or right.

Features

AISI 304 stainless steel, 1.2 mm thickness,
 brushed or polished stainless steel finish.
 3 fixing points.
 Fixings concealed by Ø 70 mm clip-on escutcheons.
 Left or right welded reinforcement leg.
 Fixings supplied.

Dimensions: L270 x D700 x H700 mm.
 CE marking.
 10-year warranty.



References model choices

Wall and floor-mounted grab bar

- **IB-07-S** **brushed stainless steel finish**
- **IB-07-B** **polished stainless steel finish**