

Stainless steel service sink for mobile toilets

Reference: **LV-07**

Description

Stainless steel service sink with backsplash for the emptying and maintaining mobile chemical toilets.
Ideal for service areas for motorhomes, recreational vehicle, and campsites...

Set with equipped backsplash including: tank rinsing hose, faucet and hinged grid.

Robust and hygienic, it ensures clean and secure emptying of toilets.

Easy installation, use and maintenance.

Features

AISI 304 stainless steel, brushed finish, 1.2 mm thickness.

Wall-mounted installation with floor skirt concealing the drain trap.

Water inlet G 1/2".

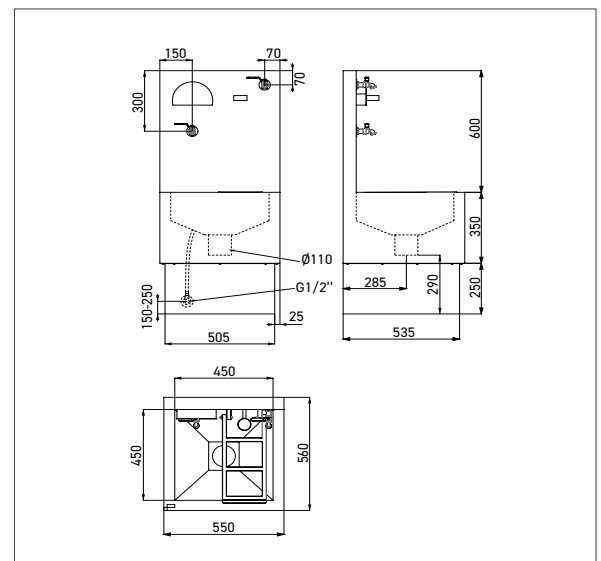
Vertical outlet Ø110 mm for wastewater drainage, connection to horizontal or vertical outlet siphon (not included).

Fixings, tank rinse pipe, tank filling valve, and hinged grid included.

Dimensions: W505 x D535 x H1200 mm (including 600 mm high splashback).

Basin: W450 x D450 x H350 mm.

Weight: 29 kg



Reference

Stainless steel service sink for chemical toilets

- **LV-07**