

ELITE toilet paper roll holder

Reference: **MBS-101**



Description

ELITE stainless steel toilet paper roll holder, minimalistic design and reduced width for minimum footprint.

Integral cover for increased resistance.

Flush-mounted top lock for the aesthetic.

Rounded edges.

Features

AISI 304 stainless steel, brushed finish, 1 mm thickness.

Paper roll max 300 m \varnothing 230 mm.

Recessed lock with durable steel cylinder.

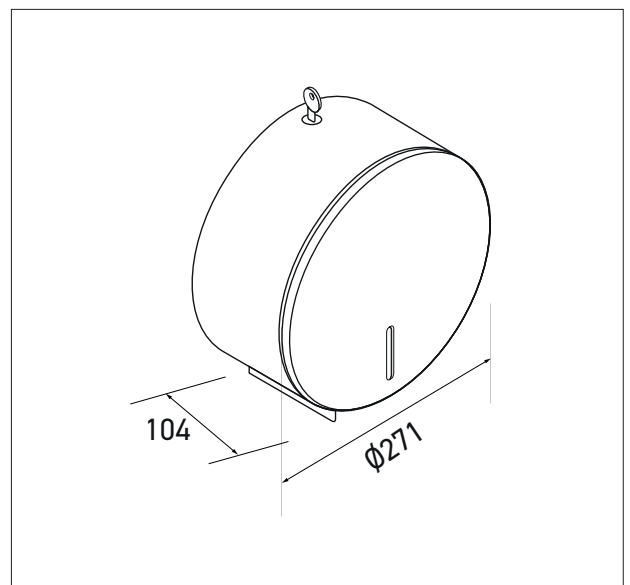
Solid back.

Paper level control slot.

Fixings supplied.

Dimensions: \varnothing 271 x D104 mm

10 year warranty.



Reference

ELITE toilet paper dispenser

- **MBS-101**