

Double stainless steel toilet roll holder ELITE

Reference: **MBS-501**

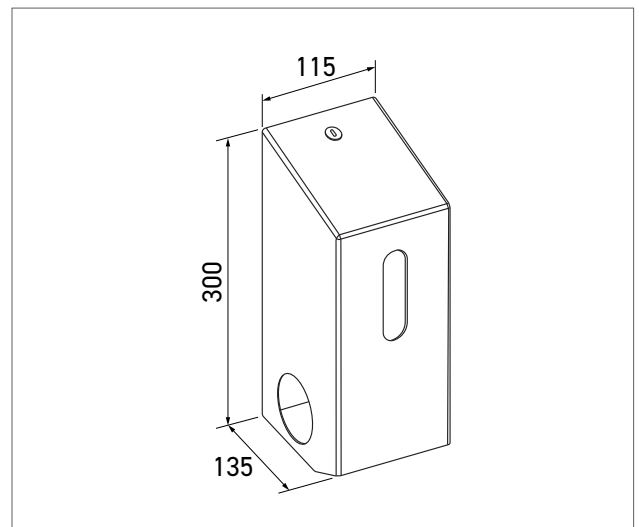


Description

Domestic stainless steel double toilet roll holder with 1 spare roll.
 The spare roll is held in the upper position to avoid resting on the first roll, and can be easily lowered with a finger after removing the core of the first roll through the side hole.
 Smooth surface with no visible rivets.
 Flush-fitting lock on top for aesthetic purposes.
 Rounded edges.
 Suitable for high-end sanitary spaces as well as busy public facilities, the ELITE dispenser combines robustness, reliability and elegance.

Features

- AISI 304 stainless steel 1 mm thickness, brushed finish.
- Welded and smooth corners.
- Capacity of 2 rolls, with Ø130 mm core.
- Recessed lock, with durable steel cylinder.
- Solid back panel.
- Paper level control slot.
- Fixings included.
- Dimensions: W115 x D135 x H300 mm
- 10-year warranty.



Reference

ELITE stainless steel double toilet roll holder

- **MBS-501** brushed stainless steel finish