

AKWA stainless steel electronic mixer

References: **RES-100-S1 / RES-101-S1 / RES-102-S1**

Description

Electronic washbasin mixer in AISI 316 brushed stainless steel with nano infrared sensor.

Elementary shape for a timeless design.

Robust design for heavy-duty use in communal areas.

Easy installation and simplified maintenance.

Electronic faucets reduce water consumption, save energy

Features

Self-adjusting infrared detection.

Settings adjustable by remote control (sensor range, flow duration, periodic flush, temporary stop).

Powered by an integrated or external 9V battery under the sink, or 230/9V transformer.

Low battery indicator light for replacement.

Security stop after 90 seconds of uninterrupted use.

Periodic hygiene rinse.

AISI 316 stainless steel body, brushed finish, Ø44.5 mm.

Integrated solenoid valve.

Directional NEOPERL aerator to optimize water flow direction, flow rate limited to 6 LPM (1.3, 1.9 or 3 LPM on demand).

Lead-free water circuit.

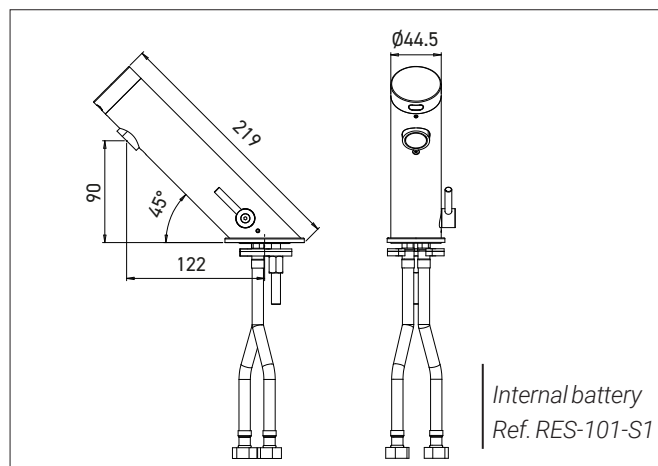
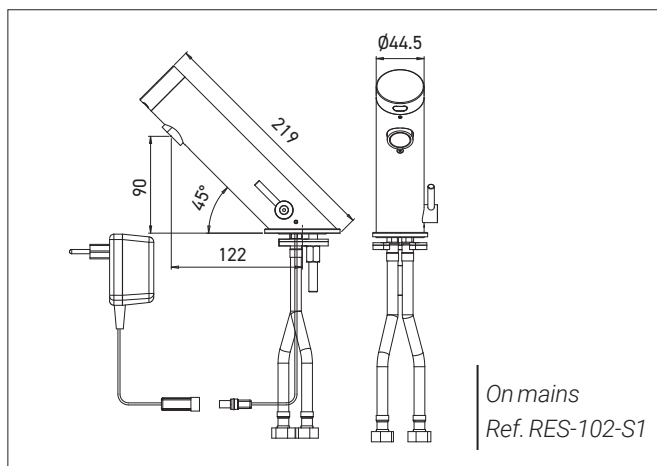
Cold and hot water supply.

SPEX hoses (resistant to chlorinated disinfection and temperature increases) with integrated check valves.

Filters supplied.

Water pressure: 0.3 – 8.0 bars / Maximum temperature 70°C.

CE. ACS. 3-year warranty.



References model choices

AKWA Stainless Steel Electronic Mixer

- **RES-100-S1** external battery
- **RES-101-S1** internal battery
- **RES-102-S1** mains

Options

- Remote control ref. RES-31
- Flow rate limited to 1.3, 1.9 or 3 LPM
- IP68 transformer to power up to 4 faucets (ref. RES-294)
- Junction box to power up to 10 faucets (ref. RES-295)
- PRM extended mixer handle (ref. -MH)