

## AKWA electronic mixer

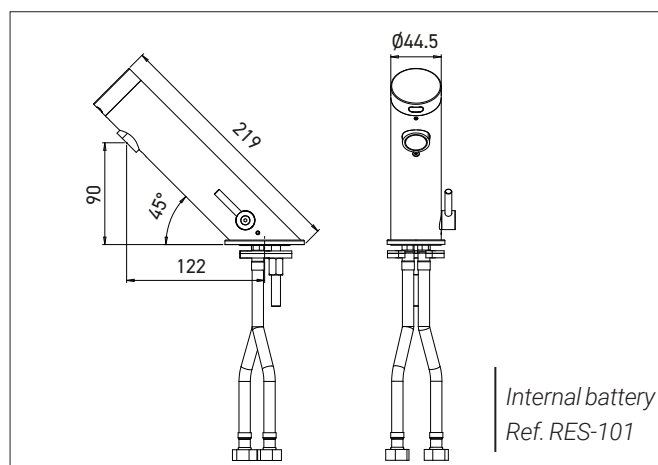
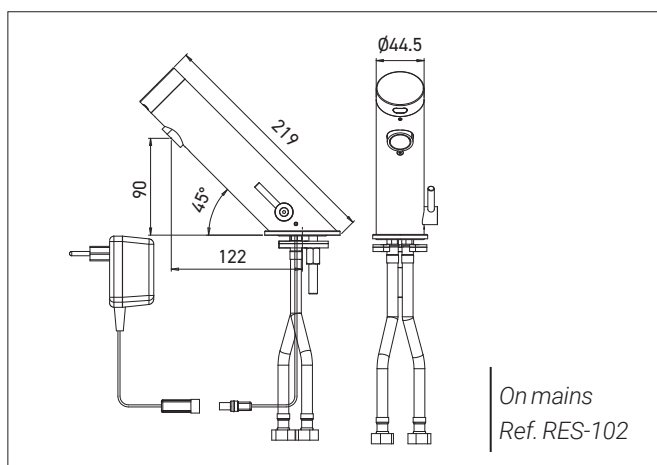
References: **RES-100 / RES-101 / RES-102**

### Description

Electronic washbasin mixer with nano infrared sensor.  
Elementary shape for a timeless design.  
Robust design for heavy-duty use in communal areas.  
Easy installation and simplified maintenance.  
Electronic faucets reduce water consumption, save energy and optimize hygiene in sanitary facilities.

### Features

Self-adjusting infrared detection.  
Settings adjustable by remote control (sensor range, flow duration, periodic flush, temporary stop).  
Powered by an integrated or external 9V battery under the sink, or 230/9V transformer.  
Low battery indicator light for replacement.  
Security stop after 90 seconds of uninterrupted use.  
Periodic hygiene rinse.  
Chrome-plated brass body Ø44.5 mm.  
Integrated solenoid valve.  
Flow rate limited to 6 LPM (1.3, 1.9 or 3 LPM on demand).  
Lead-free water circuit.  
Cold and hot water supply.  
SPEX hoses (resistant to chlorinated disinfection and temperature increases) with integrated check valves.  
Filters supplied.  
Water pressure: 0.3 – 8.0 bars / Maximum temperature 70°C.  
CE. ACS. 3-year warranty.



### References model choices

AKWA Electronic Mixer

- **RES-100** external battery
- **RES-101** internal battery
- **RES-102** mains

### Options

- Remote control ref. RES-31
- Flow rate limited to 1.3, 1.9 or 3 LPM
- Finishes Matte Black, Brushed Nickel PVD, Matte Gold PVD Antique Bronze, Copper PVD (contact us)
- IP68 transformer to power up to 4 faucets (ref. RES-294)
- Junction box to power up to 10 faucets (ref. RES-295)
- PRM extended mixer handle (ref. -MH)
- Matching AKWA soap dispenser (ref. RES-87)