

AKWA stainless steel electronic faucet

References: [RES-103-S1](#) / [RES-104-S1](#) / [RES-105-S1](#)

Description

Electronic washbasin faucet, for cold or pre-mixed water, with nano infrared sensor.

Elementary shape for a timeless design.

Recommended for installation where ease of cleaning and durability are essential (resistant to scratches, UV, fingerprints...).

Easy installation and simplified maintenance.

Electronic faucets reduce water consumption, save energy and optimize hygiene in sanitary facilities.

Features

Self-adjusting infrared detection.

Settings adjustable by remote control (sensor range, flow duration, periodic flush, temporary stop).

Powered by an integrated or external 9V battery under the sink, or a 230/9V transformer.

Low battery indicator light for replacement.

Security stop after 90 seconds of uninterrupted use.

Periodic hygiene rinse.

AISI 316 stainless steel body, brushed finish, Ø44.5 mm.

Integrated solenoid valve.

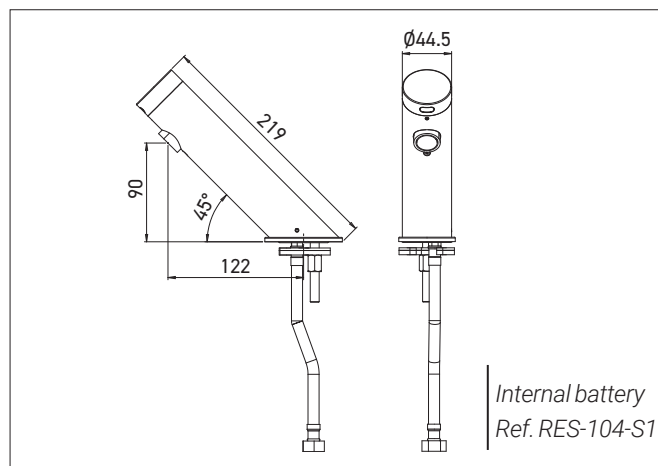
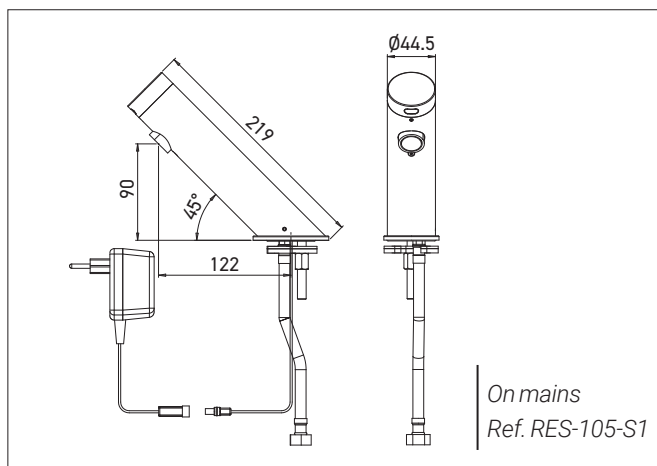
Directional NEOPERL aerator to optimize water flow direction, flow rate limited to 6 LPM (1.3, 1.9 or 3 LPM on demand).

Lead-free water circuit.

Cold or pre-mixed water supply.

Water pressure: 0.3 – 8.0 bars / Maximum temperature 70°C.

CE. ACS. 3-year warranty.



References model choices

AKWA Stainless Steel Electronic Faucet

- [RES-103-S1](#) external battery version
- [RES-104-S1](#) internal battery version
- [RES-105-S1](#) mains version

Options

- Remote control ref. RES-31
- Flow rate limited to 1.3, 1.9 or 3 LPM
- IP68 transformer to power up to 4 faucets (ref. RES-294)
- Junction box to power up to 10 faucets (ref. RES-295)