

Electronic washbasin detection kit for faucets

References: **RES-110P / RES-111T**

Description

Touch-free activation kit for cold or pre-mixed water, designed to be integrated into your sanitary installations to maximize hygiene and reduce water consumption.

Includes infrared sensor, solenoid valve, and power supply via transformer or battery box.

PROXI version: water flows when hands approach and stops when they move away. Used with the sensor below the wall-mounted spout.

TEMPO version: water is triggered by placing a hand close to the sensor. Ideal when the sensor is located away from the spout.

Vandal-proof.

Features

Infrared detection.

PROXI detection at 220 mm (adjustable from 80 to 300 mm).

TEMPO: water flows for 8 seconds by default when a hand approaches (short detection).

Settings adjustable via remote control (detection range, flow duration, periodic rinsing, temporary shut-off...).

Powered by 9V battery or 230/9V transformer.

Low battery indicator for replacement.

Safety shut-off after 90 seconds of continuous flow.

Periodic hygienic rinsing.

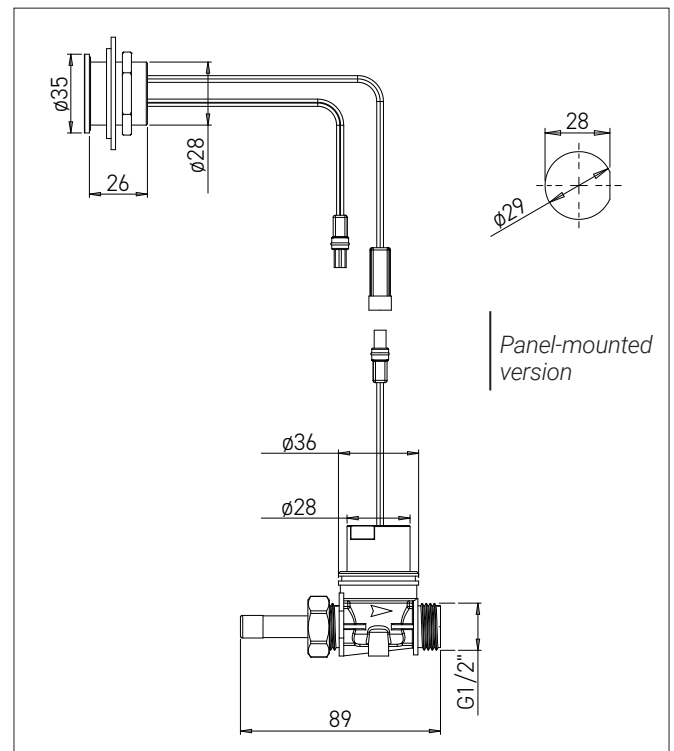
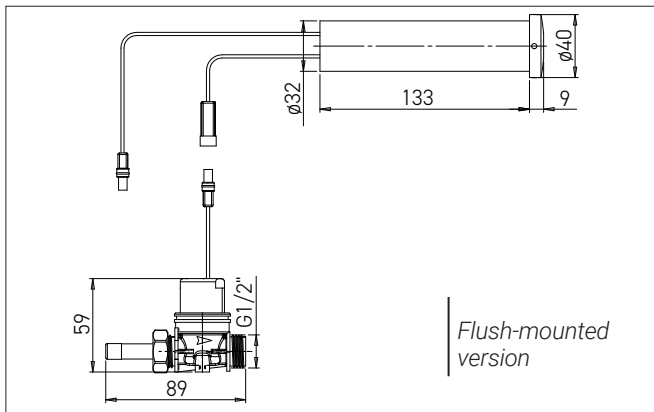
Chrome-plated brass body $\varnothing 25$ mm.

Mounting on panel from 2 to 20 mm thick, or flush-mounted version with front-removable sensor.

M1/2" solenoid valve. Cold or pre-mixed water supply.

Water pressure: 0.3 – 8.0 bar. Maximum temperature: 70°C.

CE. ACS. 3 year warranty.



References model choices

Washbasin faucet detection kit

- **RES-110P** Proxi, 9V battery
- **RES-110P-T** Proxi, 230V transformer
- **RES-110P-ENC** Proxi, flush-mounted, 9V battery
- **RES-110P-T-ENC** Proxi, flush-mounted, 230V transformer
- **RES-111T** Tempo, 9V battery
- **RES-111T-T** Tempo, 230V transformer
- **RES-111T-ENC** Tempo, flush-mounted, 9V battery
- **RES-111T-T-ENC** Tempo, flush-mounted, 230V transformer

Options

- RES-31 Remote control
- RES-294 IP68 transformer for up to 4 kits
- RES-295 Transformer box to supply up to 10 kits
- Finishes Matte black, matte gold PVD, copper PVD, AISI316 brushed stainless steel

