

EXTREME electronic mixer

References: **RES-1 / RES-3**

Description

Electronic washbasin faucet with infrared sensor.
 Its elegant design adds a contemporary and polished touch to sanitary spaces.
 Designed for easy installation and maintenance, with every component seamlessly integrated into the faucet body.
 Under basin battery access.
 Electronic faucets reduce water consumption, save energy, and optimize sanitary hygiene.



Features

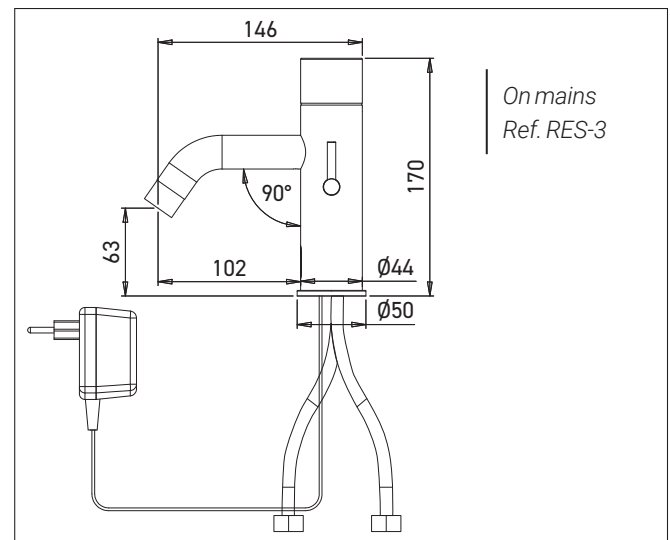
Infrared sensor with optimized presets, adjustable with remote control (flow duration, detection range, temporary stop...).

Powered by 9V battery or 230/9V transformer.
 Low battery indicator light for replacement.
 Security stop after 90 seconds of uninterrupted use.
 Periodic hygiene rinse.

Chromed brass body.
 Adjustable NEOPERL aerator to optimize jet direction, with limited flow rate of 6 LPM (3LPM, 1.9 LPM or 1.3 LPM on demand).

Mixes hot and cold water, with the solenoid valve integrated into the faucet body.
 SPEX F3/8" hoses (resistant to chlorinated disinfection and temperature increases) with integrated check valves.
 Filters supplied.

Water pressure: 0.3 – 8.0 bars / Maximum temperature 70°C.
 CE. ACS. 3-year warranty.



References model choices

- EXTREME Electronic Mixer
- **RES-1** **battery-powered**
- **RES-3** **mains-powered**

Options

- RES-31 Remote control
- RES-294 IP68 transformer to power up to 4 faucets
- RES-295 Junction box to power up to 10 faucets
- Finishes: Matte Black, Brushed Nickel PVD, Matte Gold PVD, Copper PVD (contact us)
- Limited flow rate 1.3, 1.9 or 3 L/min
- R version spout 200 mm (45, 110 or 163 mm upon request)
- L version long spout 176 mm
- Extended PRM mixer handle ref. MH
- Matching EXTREME soap dispenser