

ELITE electronic faucet

References: **RES-75 / RES-77**

Description

Electronic washbasin faucet with infrared sensor, cold or pre-mixed water supply.

The vandal-proof brass construction allows for safe installation in high-risk areas.

Its elegant design adds a contemporary and polished touch to sanitary spaces.

Designed for easy installation and maintenance, with every component seamlessly integrated into the faucet body.

Under basin battery access.

Electronic faucets reduce water consumption, save energy and optimize sanitary hygiene.



Features

Infrared sensor with optimized presets or adjustable by remote control (flow duration, detection range, temporary stop...).

Powered by 9V alkaline battery or 230/9V transformer included.

Low battery indicator light for replacement.

Security stop after 90 seconds of uninterrupted use.

Periodic hygiene rinse.

Chrome-plated brass body.

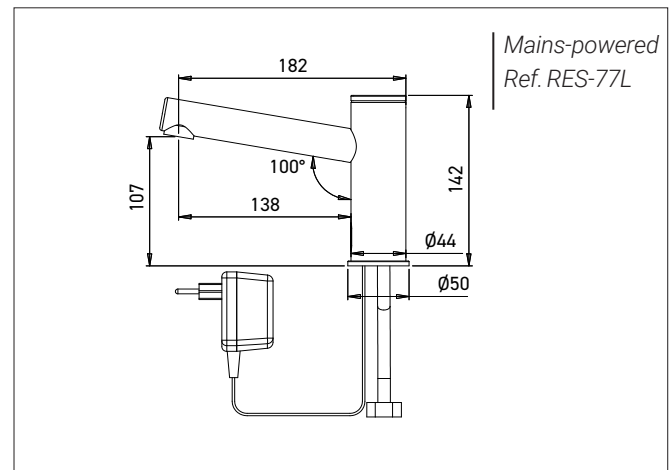
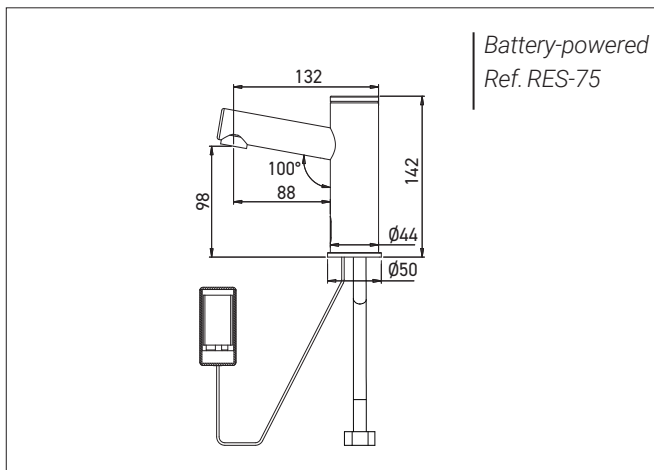
Adjustable NEOPERL aerator to optimise jet direction, with limited flow rate of 6 LPM.

On demand, flow limited to 1.3, 1.9 or 3 LPM.

Cold or pre-mixed water supply, with solenoid valve integrated into the faucet body.

Water pressure: 0.3 – 8.0 bars. / Maximum temperature 70°C.

CE. ACS. 3-year warranty.



References model choices

ELITE Electronic Faucet

- **RES-75** **battery-powered**
- **RES-77** **mains-powered**

Options

- RES-31 Remote control
- Finishes Matte Black, Matte White, Matte Gold PVD, Copper PVD, Brushed Nickel PVD
- Brushed stainless steel finish AISI 316 quality
- Limited flow rate 1.3, 1.9 or 3 LPM
- L version with long 138 mm spout
- R version with raiser 45, 110, 163 or 200 mm
- RES-294 IP68 transformer to power up to 4 faucets
- RES-295 Junction box to power up to 10 faucets