

Raised electronic mixer ELITE

References: **RES-74-R / RES-76-R**

Description

Electronic washbasin faucet with infrared sensor, with spout extension for countertop basin.

Its elegant design adds a contemporary and polished touch to sanitary spaces.

Designed for easy installation and maintenance, with every component seamlessly integrated into the faucet body.

Under basin battery access.

Electronic faucets reduce water consumption, save energy, and optimize sanitary hygiene.

Features

Infrared sensor with optimised presets, adjustable with remote control (detection range, flow duration, periodic flushing, temporary stop...).

Powered by 9V battery or 230/9V transformer.

Low battery indicator light for replacement.

Security stop after 90 seconds of uninterrupted use.

Periodic hygiene rinse.

Chrome-plated brass body.

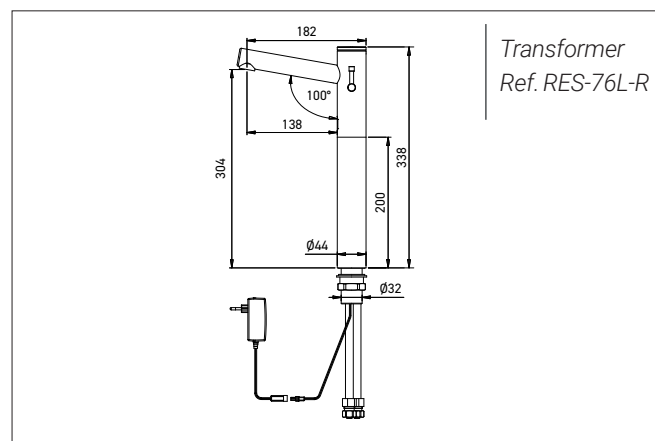
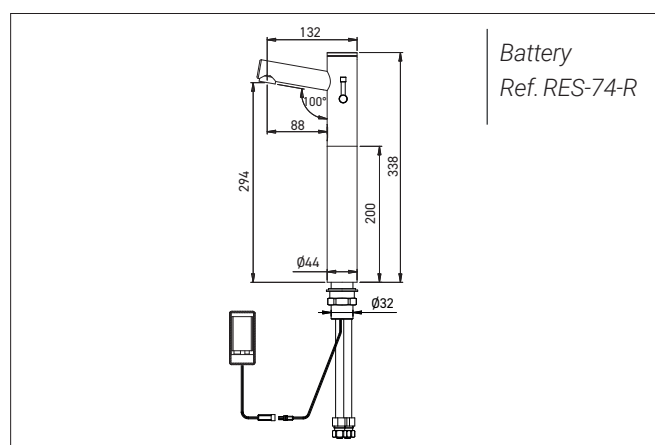
Adjustable NEOPERL aerator to optimise jet direction, with limited flow rate of 6 LPM (3LPM, 1.9 LPM or 1.3 LPM on demand).

Mixes hot and cold water, with the solenoid valve integrated into the faucet body.

SPEX F3/8" hoses (resistant to chlorinated disinfection and temperature increases) with integrated check valves. Filters supplied.

Water pressure: 0.3 – 8.0 bars / Maximum temperature 70°C.

CE. ACS. 3-year warranty.



References model choices

ELITE raised electronic mixer

- **RES-74-R** battery-powered
- **RES-76-R** mains-powered
- **RES-74L-R** battery-powered, long spout
- **RES-76L-R** mains-powered, long spout

Options

- RES-31 Remote control
- Finishes Matte Black, Brushed Nickel PVD, Matte Gold Antique Bronze PVD, Copper PVD (contact us)
- Limited flow rate 1.3, 1.9 or 3 LPM
- Spout extension 45, 100, 110 or 163 mm
- L version long spout 138 mm
- RES-294 IP68 transformer to power up to 4 faucets
- RES-295 Junction box to power up to 10 faucets
- ...-MH Extended PRM mixer handle
- Matching raised ELITE soap dispenser