

SUPRATECH

HYGIENE ON THE MOVE!



SHOWER PANEL WITH TOKEN OPERATED TIMER

INSTALLATION AND MAINTENANCE GUIDE

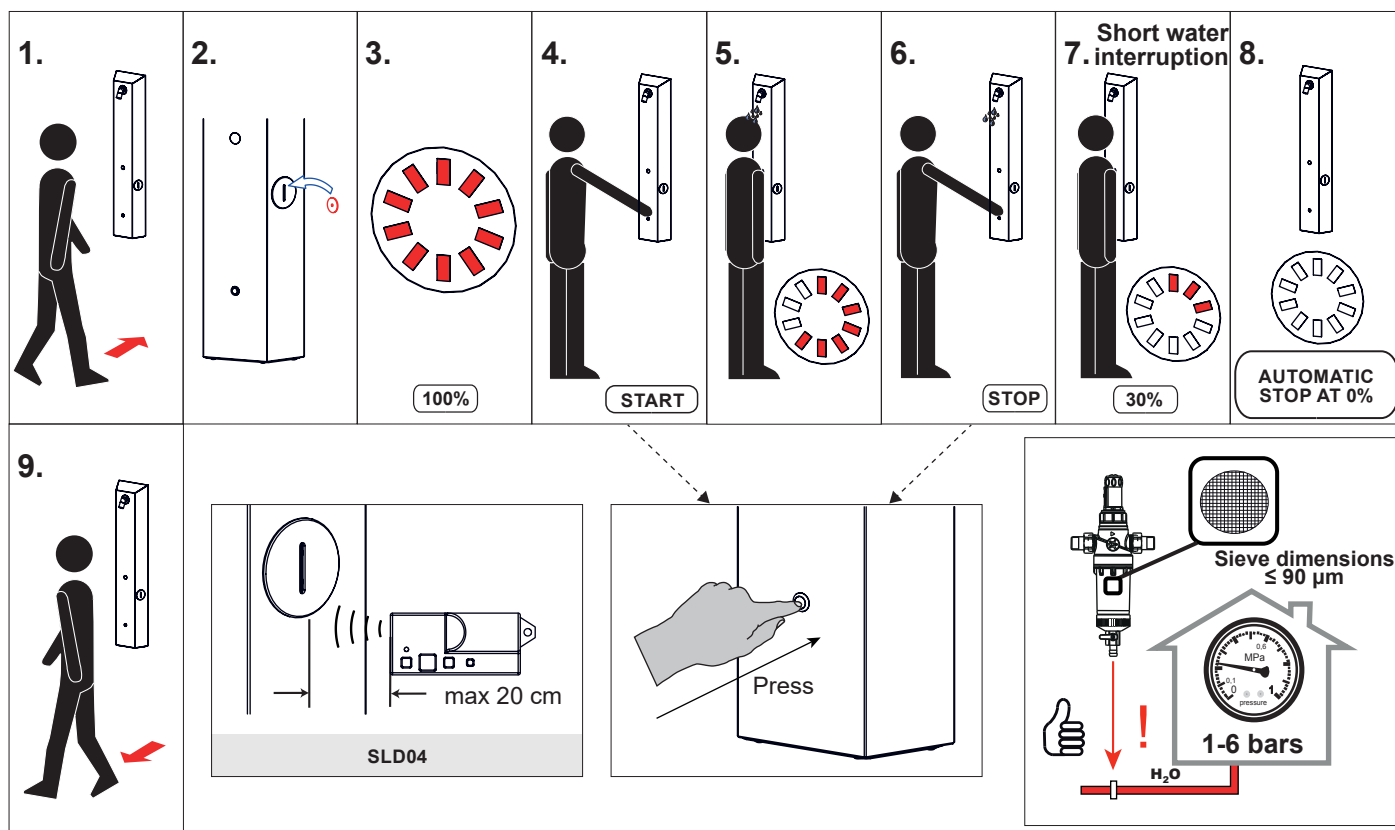
Shower panel with token operated timer for cold or premixed water

Ref. SA-28

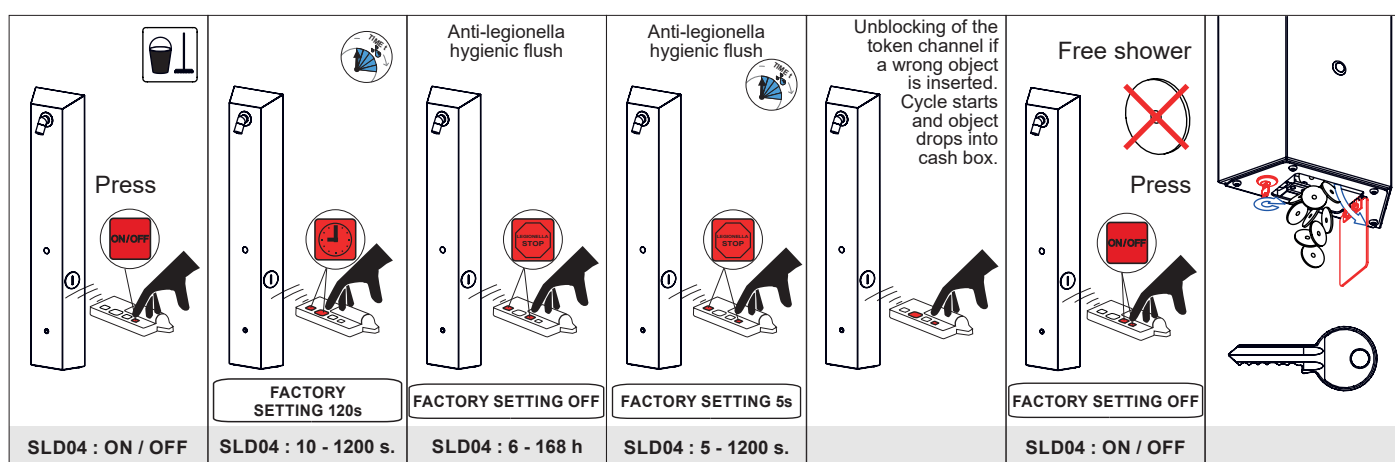


EN ISO 9001:2015

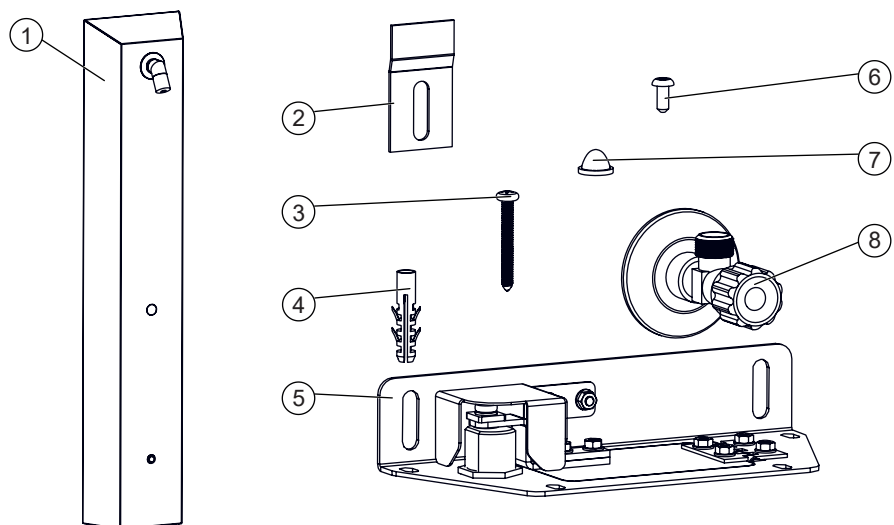
Function



Characteristics

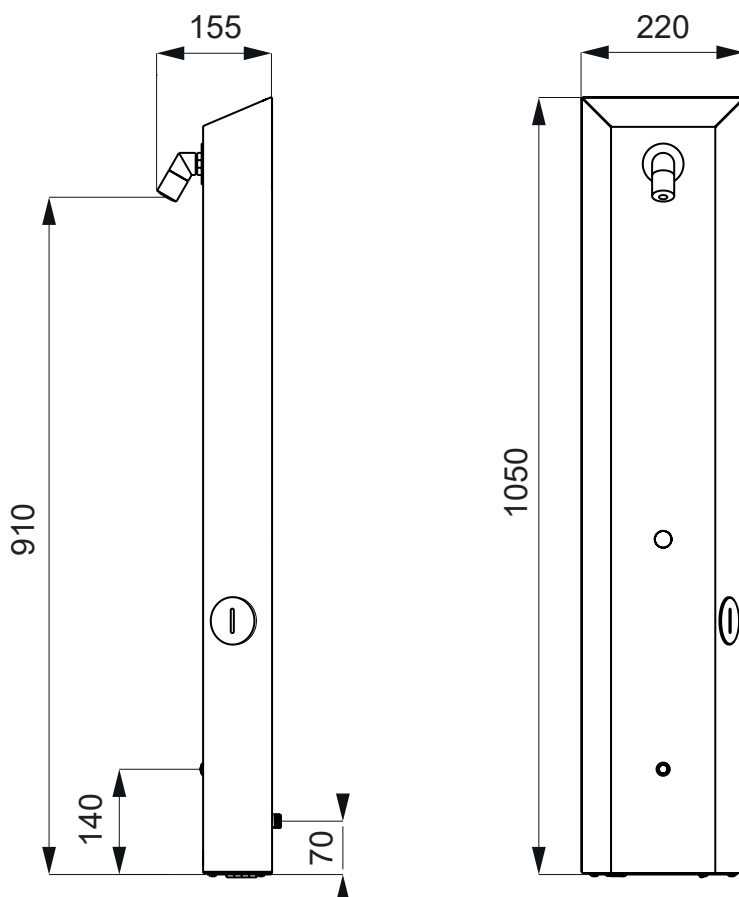


Supplied equipment

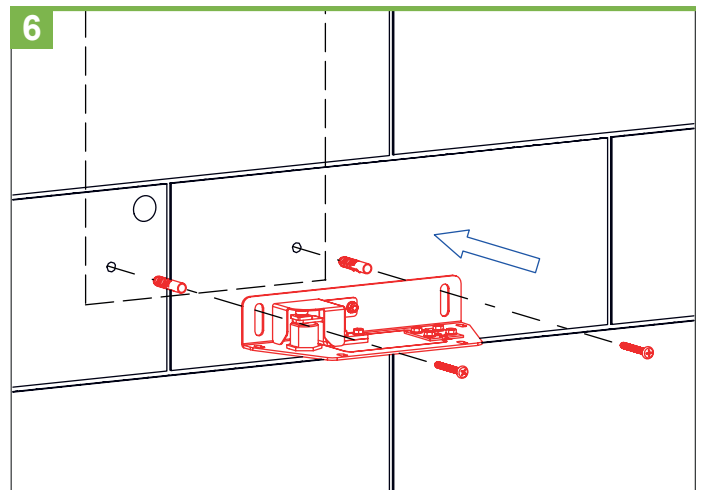
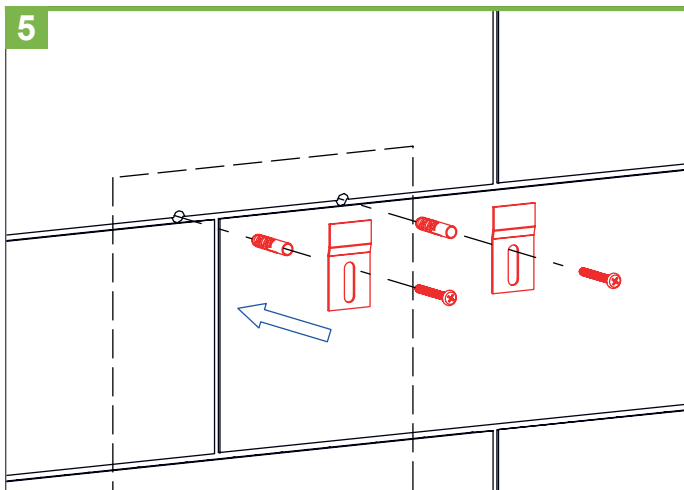
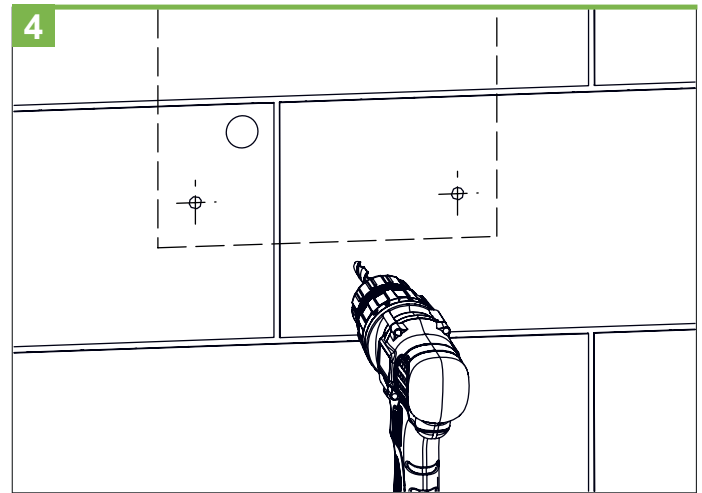
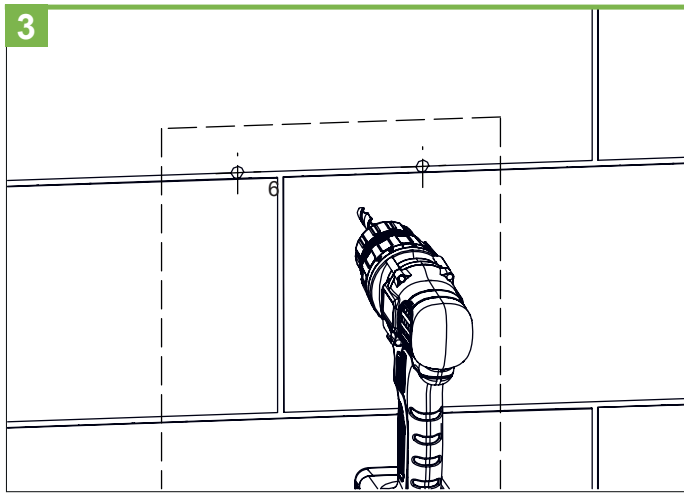
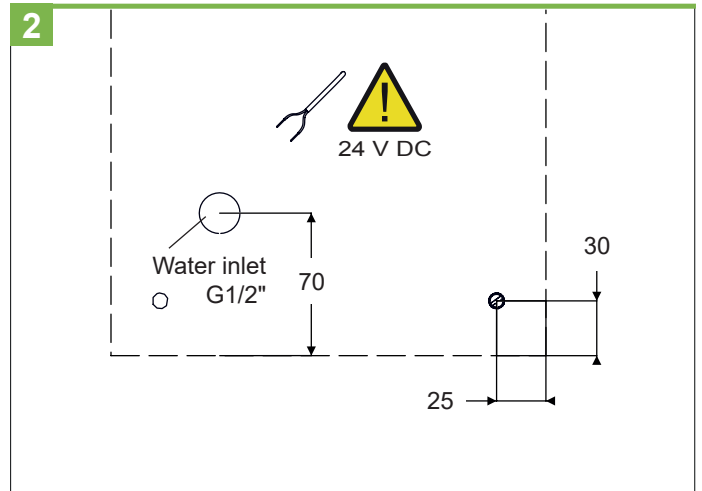
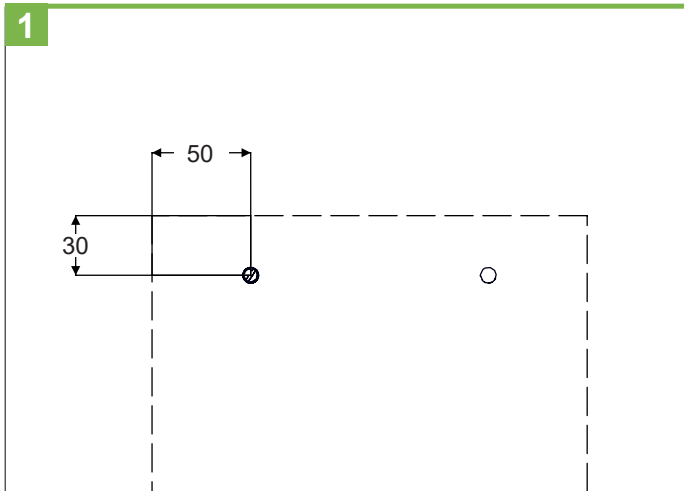


Part n°	Ref	Quantity
1	SAN-47713	1
2	SAN-45780	2
3	SAN-45829	4
4	SAN-45782	4
5	SAN-47703	1
6	SAN-47662	4
7	SAN-46268	1
8	SAN-46603	1

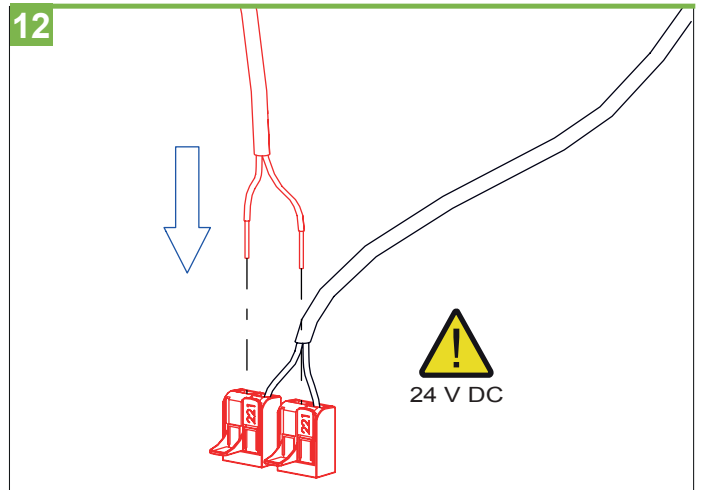
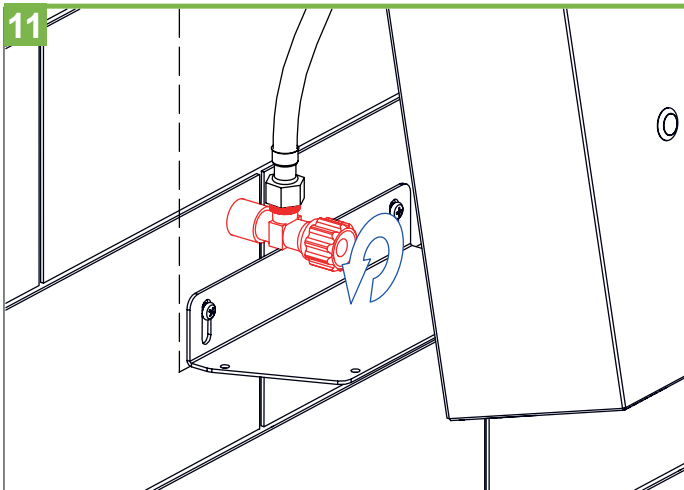
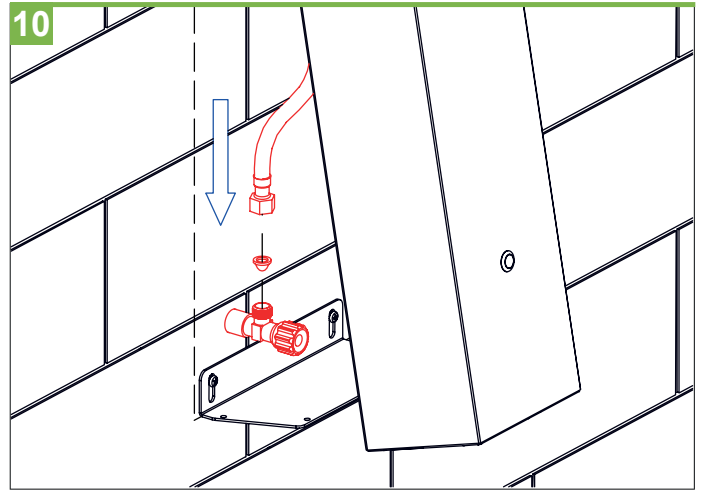
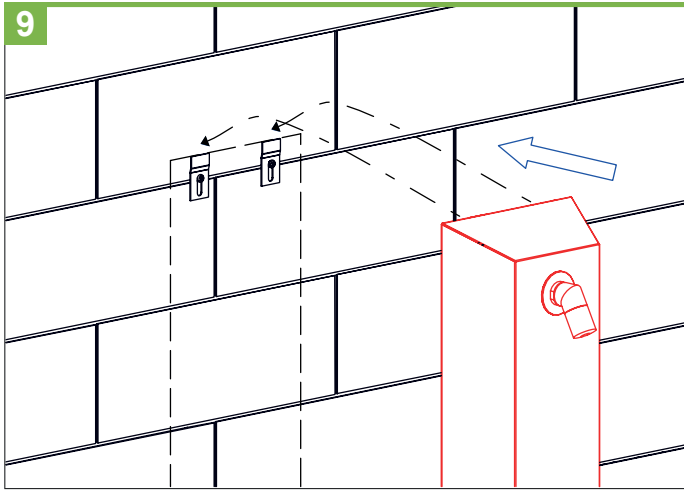
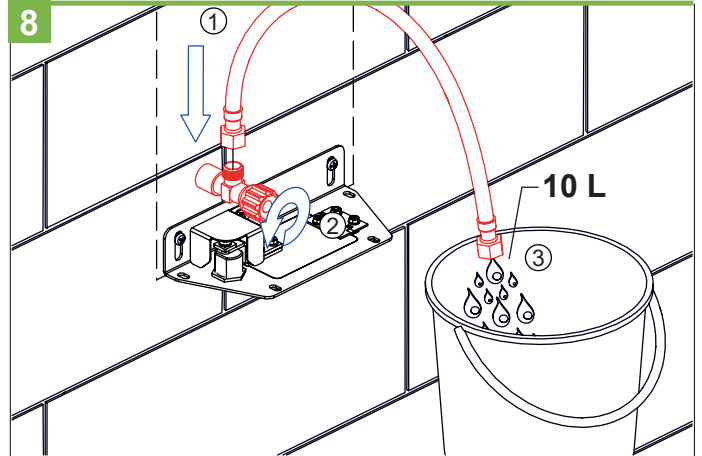
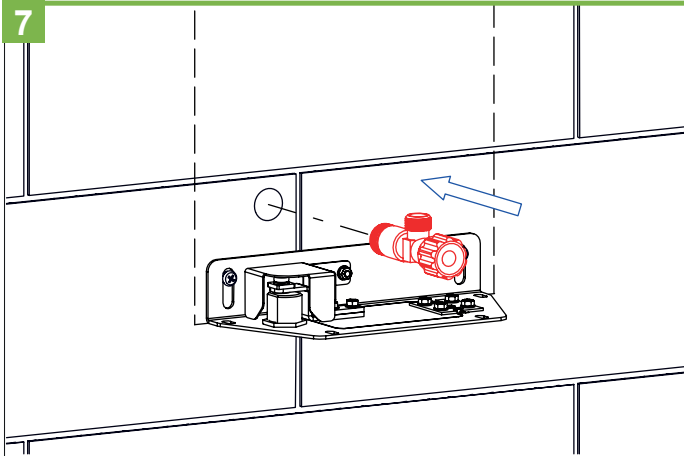
Installation



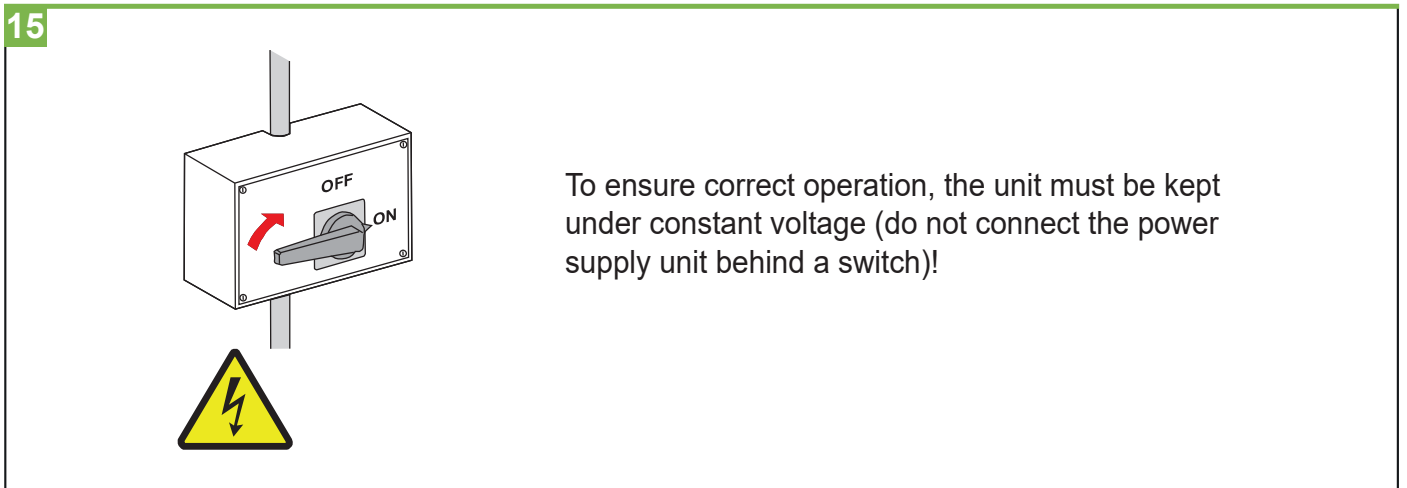
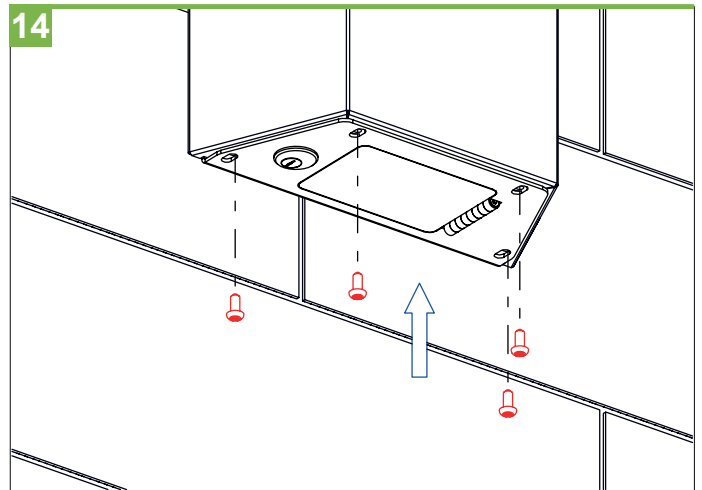
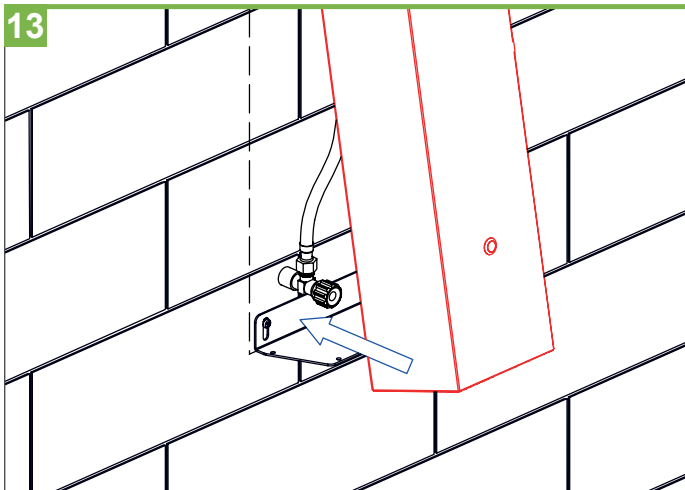
Installation



Installation



Installation



Maintenance

It is recommended to check the solenoid valve filter once a year to avoid build-up in the diaphragm. It is also a good idea to check once a year that all screws and connections are tight and secure. All stainless steel components should be cleaned with soapy water and a soft cloth only. It is strictly forbidden to use aggressive and abrasive products. It is necessary to comply with local regulations for the disposal of packaging. The manufacturer guarantees that this product complies with regulations 73/023/EEC and 89/336/EEC.

Recommended accessories

- Ref. **SLD04**: remote control for setting adjustments
- Ref. **SPZ06**: 230/24V transformer box for 1 shower
- Ref. **SPZ02**: 230/24V transformer box to supply up to 5 pcs. showers units.
- Ref. **SPZ01**: 230/24V transformer box to supply up to 9 pcs. showers units.
- Ref. **SPZ04Y**: 230/24V transformer on DIN rail up to 5 showers
(max. 9 or 15 showers on demand)
- Ref. **SA-52**: set of 50 tokens
- Ref. **RED-G5**: thermostatic premixer

SUPRATECH

AUTOMATED SYSTEMS - SANITARY ACCESSORIES - STAINLESS STEEL SANITARY WARE

2, rue des Cyprès - 37240 Bossée - France
Tel : (33)2 47 92 23 31 - Fax : (33)2 47 92 84 71
info@autosanit.com
www.autosanit.com



09.2023