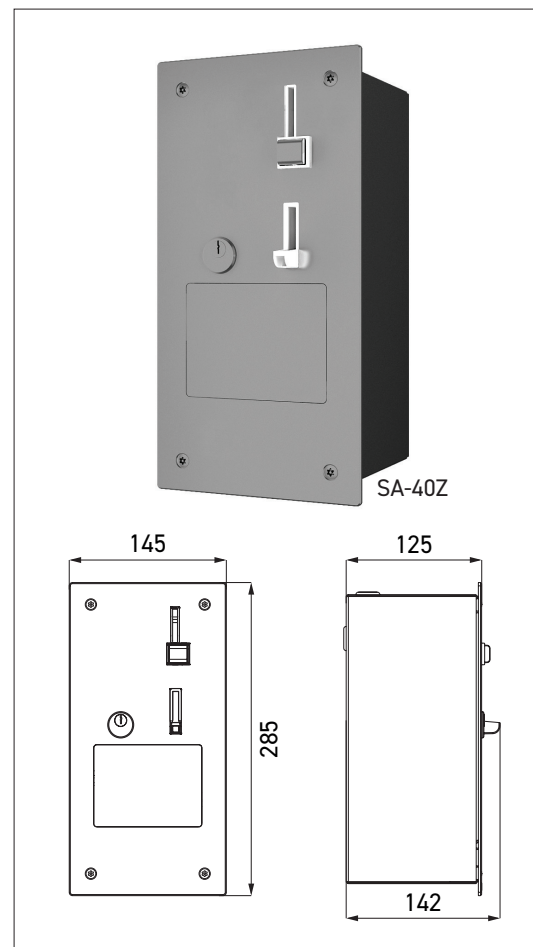
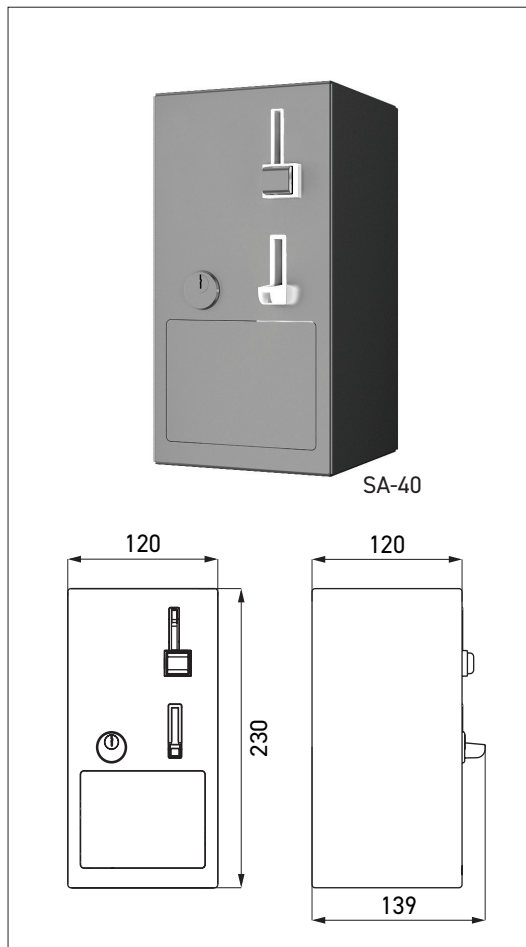


Coin or token operated door lock system

References : **SA-40 / SA-40Z**



Description

Door lock system for 1 or 2€ coin or token for electromagnetic lock, wall-mounted surface or recessed installation.

- Vandal-proof
- After inserting the required minimum credit (coin or token), the door lock opens for a set duration
- The door lock system totals the coins but does not provide change
- Adjustable opening time from 1-310 seconds, factory setting at 10 seconds
- Operates on 24V (total consumption with 24V lock = 10 W)
- Parameter settings on the screen inside the machine using the SLD 05 remote control (door lock unlocking interval, unlocking value, choice of control mode with or without door contact)
- Door lock
- Inside use, temperature from 5 to 40 °C
- AISI 304 stainless steel, 1.5 mm thickness, brushed finish

SA-40 Dim.: W120 x D139 x H230 mm. Weight 2.9 kg

SA-40Z Dim.: W145 x D142 x H285 mm. Wall cutout dim.: W125 x D127 x H265 mm. Weight 3.2 kg

5 year electronic warranty

References model choices

Coin or token operated door lock system

- **SA-40** surface-mounted wall installation
- **SA-40Z** recessed wall installation

Options

- SLD05 Remote control
- SA-50 pack of 50 tokens
- SPZ01 230/24 V transformer box
- SPZ04Y 230/24V transformer on DIN rail
- EUROKEY PRM free access (ref. ...-V)