

SUPRATECH

HYGIENE ON THE MOVE!

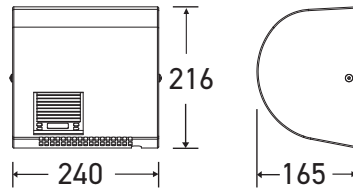


LOW-NOISE STAINLESS STEEL ELECTRIC HAND DRYER

INSTALLATION AND MAINTENANCE GUIDE

Low-noise stainless steel electric hand dryer

Ref. **SM-180**



TECHNICAL FEATURES

| | |
|---------------------------------|---|
| Operating voltage | 220-240 V, 50Hz or 60 Hz frequency, 6.9 - 7.5 A, 1512 - 1800 W |
| Air output temperature | 55°C - Ambient temperature 25°C (max, adjustable) |
| Air output speed | 14.5 m/s |
| Air flow | 255 m ³ /h |
| Motor | 100 W, 2850 RPM, brushless type |
| Motor thermal protection | Auto resetting thermostat turns unit off at 105°C |
| Heater element | 1700 W. Auto resetting thermostat turns unit off at 70°C ; Auto resetting thermal fuse at 142°C |
| Drying time | Less than 25 seconds |
| Stand-by power | Less than 0,5 W |
| Circuit operation | Infrared automatic, self-adjusting |
| Sensor | Adjustable from 130 to 230 mm, standard 180±20 mm |
| Timing | 60 seconds auto shut off |
| Drip proof | IP21 |
| Isolation | Class 1 |
| Weight | 5.4 kg (6.4 kg shipping weight) |

GENERAL SAFETY INFORMATION

DANGER

- Failure to properly ground unit could result in severe electric shock.
- Electrical connection via 3-wires, with the ground wire connected to the dryer's plate.

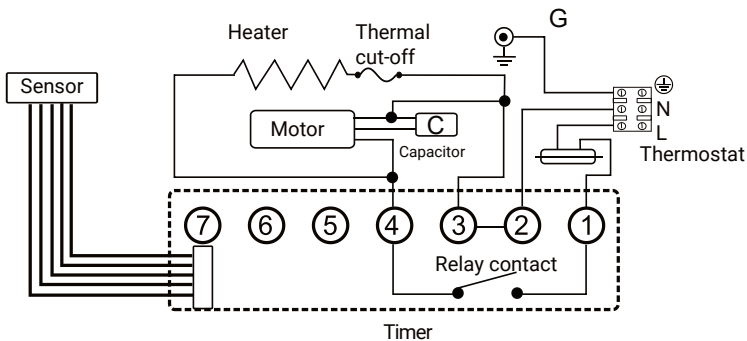
WARNING

- Installation by qualified service personnel only.
- Use 2.5 mm² electrical cables in accordance with current standards.
- Shut off the power supply before installation or maintenance.

NOTES

- Installation of this dryer above a washbasin isn't recommended.
If installed above a washbasin, ensure there is no reflection.
- If the power supply cord is damaged, it must be replaced by the manufacturer or its distributor or a qualified agent in order to avoid any hazard. Disconnect the fixed wired only in accordance with the wiring rules.
- This device may be used by children aged 8 year or above and by persons with reduce physical, sensory or mental capabilities, or lack of experience and knowledge, provided they have been given supervision or instruction concerning the safe use of the device and understand the hazards involved.
- Children shall not play with the device.
- Cleaning and user maintenance shall not be carried out by children without supervision.

CIRCUIT DIAGRAM



RECOMMENDED HEIGHTS

| | |
|-----------------------------|---------|
| Men | 1000 mm |
| Women | 960 mm |
| Children 4-7 years | 812 mm |
| Children 8-10 years | 860 mm |
| Children 11-13 years | 910 mm |
| Children 14-16 years | 960 mm |
| P.R.M | 860 mm |

(from bottom edge of dryer above finished floor)

OPERATION

- Touch-free.
- Shake excess water from hands.
- Place hands under the air outlet to start operation.
- Rub hands lightly and rapidly.
- Stops automatically after hands are removed.

CLEANING AND MAINTENANCE

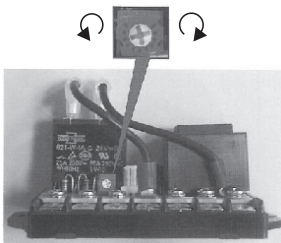
Regular cleaning is recommended to ensure optimum performance

- Disconnect the electrical supply.
- Remove the 2 cover-screws and the cover
- Clean all the dust inside the hand dryer
- Wipe the cover with a damp cloth and mild cleaning solution. Do not soak.
- Never use abrasive to clean the cover.
- Put the cover back on.
Do not over tighten the screws.



SETTINGS ADJUSTMENTS

Disconnect the power supply, remove the cover by unscrewing the 2 screws.



> Sensor range adjustment

Standard range 180 ±20 mm.
Adjustable from 130 to 230 mm.

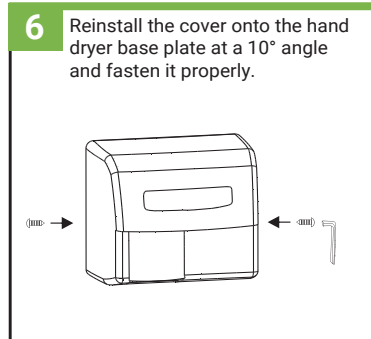
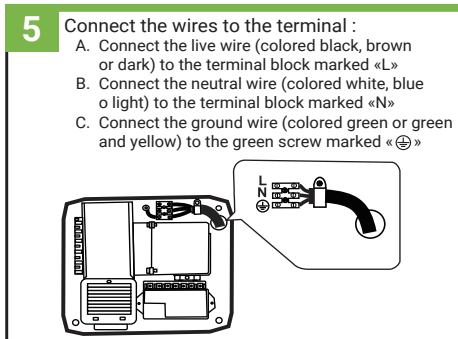
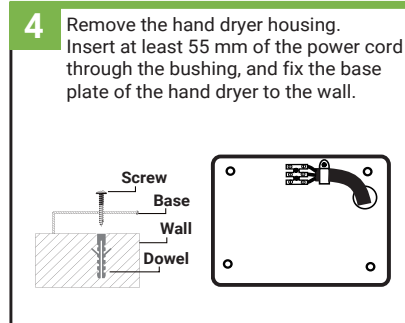
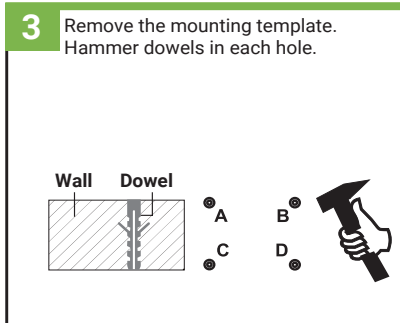
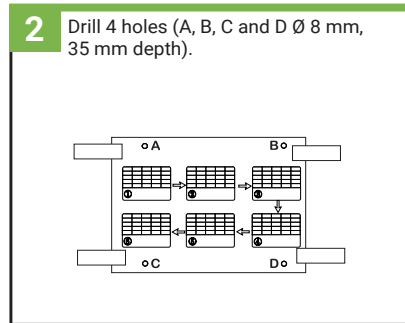
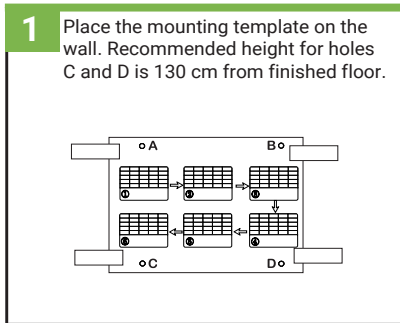
Use a small Phillips screwdriver:

- Turn it clockwise to increase (+) ↻
- Turn it counterclockwise to decrease (-) ↻

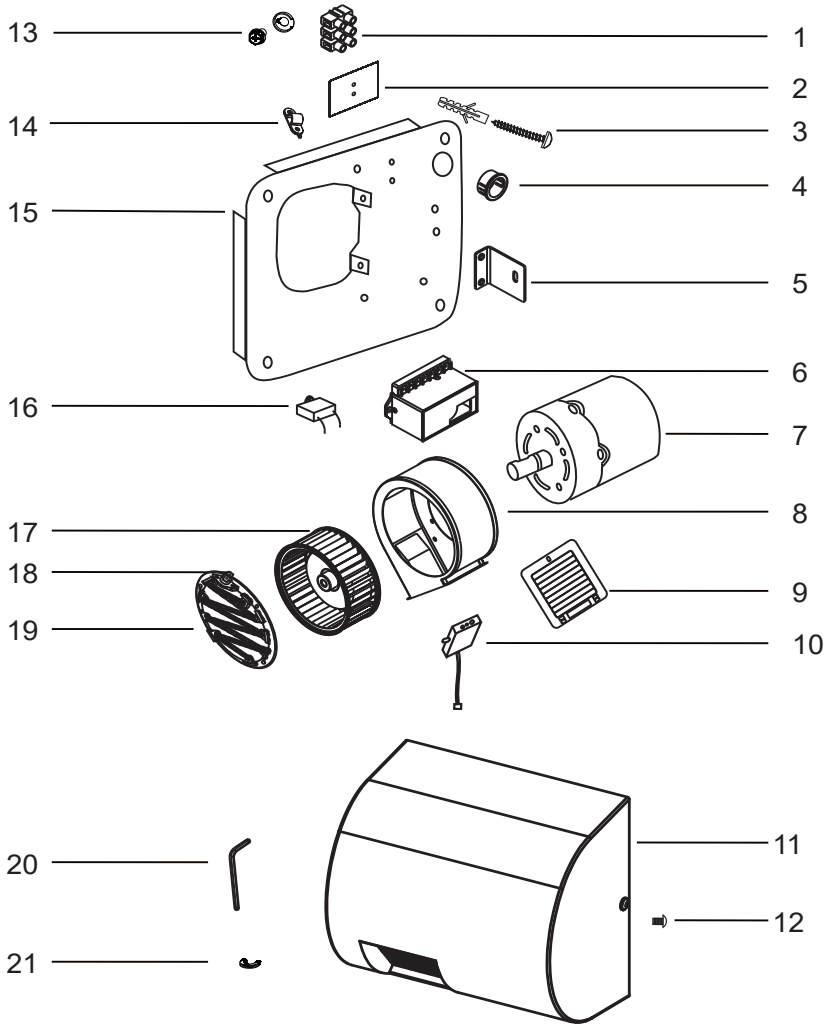
INSTALLATION

1. Ensure the power supply breaker is switched off.
Installation shall be carried out in accordance with current local electrical regulations and by a qualified electrician only.
2. Place the template against the wall at the desired height (see installation height recommendations) and mark the locations of the four fixing holes and electrical wire entry point.

NOTE: The spacing between 2 hand dryers should be at least 610 mm.



SPARE PARTS LIST



SPARE PARTS LIST

| N° | DESCRIPTION |
|----|--------------------------|
| 01 | Terminal |
| 02 | Mylar insulator |
| 03 | Screw and dowel (x4) |
| 04 | Nylon bushing |
| 05 | Motor bracket |
| 06 | Timer |
| 07 | Motor |
| 08 | Blower housing |
| 09 | Air outlet |
| 10 | Sensor module |
| 11 | Cover |
| 12 | Security hex screw (x2) |
| 13 | Earthing screw with ring |
| 14 | Cable clamp |
| 15 | Base plate |
| 16 | Capacitor |
| 17 | Fan |
| 18 | Thermostat |
| 19 | Heater element |
| 20 | L key |
| 21 | Protection cable |

TROUBLESHOOTING

| PROBLEM | TROUBLESHOOTING FOR INITIAL INSTALLATION FAILURE |
|---|--|
| The hand dryer does not run | Ensure that the breaker supplying the dryer is engaged. If it is, isolate the power and remove the hand dryer cover. Taking appropriate precautions to avoid shock hazard, reconnect the power and check for voltage at the block terminal. Check that the connections are made correctly. |
| It cycles by itself or runs continuously | Ensure that there are no obstructions in front of or on the sensor. Clean the infrared sensor. If problem persists, replace sensor. |
| Muffled sound or does not run for complete cycle | Ensure that the power supply is correct following the hand dryer label. The hand dryer will make a loud humming noise if the input voltage is too high. Replace damaged elements (PCB and sensor). |
| It runs but weak airflow | Ensure that the power supply is correct. The dryer will run weakly if the input voltage is too low. Correct the power supply as required. |

| PROBLEM | TROUBLESHOOTING FOR IN SERVICE FAILURE |
|--|--|
| The hand dryer does not run | Ensure that the breaker supplying the dryer is operational. If it is, isolate the power and remove the hand dryer cover. Check that the connection on the terminal block are correct. Check the blower housing and that the fan rotates freely. Check for no obstructions. Replace the cover and reconnect the power supply. If the motor doesn't start, contact a qualified electrician to check the operation of the thermostat, motor and capacitor. Replace components if necessary. |
| Blows cold air | Ensure that the breaker supplying the dryer is operational. If it is, isolate the power and remove the hand dryer cover. Check that the connection on the terminal block are correct and that the mylar insulator is in perfect condition. Contact a qualified electrician to check the operation of the thermostat and the heater element. Replace the cover and reconnect the power supply. If the hand dryer still blows cold air, replace thermal cut-off and/or heater element. |
| Does not activate when hands are under the unit | Ensure that the breaker supplying the dryer is operational. Place the hands under the sensor. A clicking sound indicates that the sensor is operating properly. The absence of a clicking sound indicates that the sensor and/or the capacitor may be defective. Replace components if necessary. |
| Does not run or incomplete cycle | Replace timer. |

LIMITED WARRANTY

This hand dryer is covered by a 3-year warranty from the date of purchase.

If a defect is reported during the normal usage period, you are entitled, at SUPRATECH's discretion, to either replacement or repair of the defective parts due to material or manufacturing defects.

SUPRATECH will not be responsible for any labour, installation or other additional or indirect costs other than those specified above.

In no event shall SUPRATECH's liability exceed the purchase price of the product.

This warranty does not cover breakdowns due to incorrect installation or maintenance, normal wear and tear.

This disclaimer of warranty includes, among others:

- Incorrect installation.
- Improper use, modifications, defects or lack of maintenance.
- Wear parts.
- Vandalism.

Failure to comply with the safety precautions and/or installation recommendations described in this installation guide will void the warranty.

For all warranty claim, please contact your plumbing contractor, dealer or SUPRATECH directly.

Please be sure to provide all pertinent information regarding your claim:

complete description of the problem, reference and model number, proof of purchase and installation date.

SUPRATECH

AUTOMATED SYSTEMS - SANITARY ACCESSORIES - STAINLESS STEEL SANITARY WARE

2, rue des Cyprès - 37240 Bossée - France
Tel. +33 (0)2 47 92 23 31 - info@autosanit.com
www.autosanit.com

