

SUPRATECH

HYGIENE ON THE MOVE!



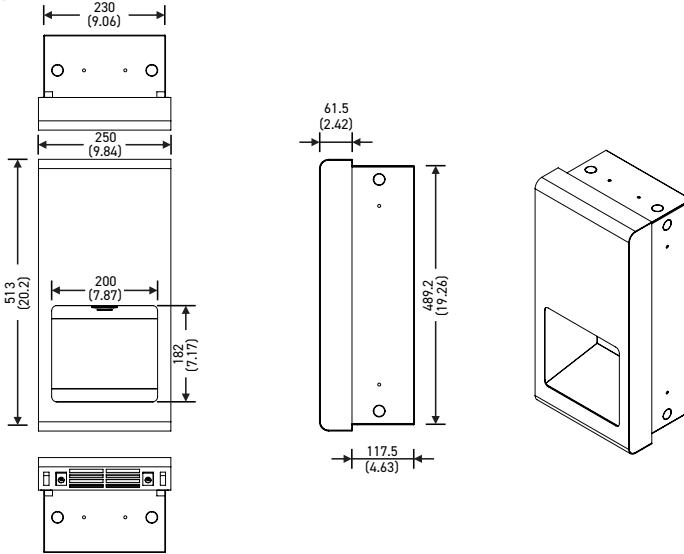
SM-3005

**SEMI-RECESSED HIGH-SPEED
AUTOMATIC HAND DRYER**

INSTALLATION AND MAINTENANCE GUIDE

Semi-recessed automatic hand dryer

Ref. **SM-3005**



TECHNICAL FEATURES

Operating voltage	220-240 Vac, frequency 50/60 Hz, 6.1 - 6.7 A, 1.34 - 1.6 kW
Air outlet temperature	55°C - Ambient temperature 25°C (max, adjustable)
Air outlet speed	75-100 m/s
Air flow rate	125.3 m³/h
Motor	350-700 W, 12000-18000 RPM, adjustable carbon type, double ball bearings
Motor thermal protection	Auto resetting thermostat turns unit off at 95 °C
Heater element	450-900 W, adjustable
Heater element protection	Auto resetting thermostat turns unit off at 85°C. Cut-off fuse at 142°C
Drying time	Less than 10 - 15 seconds
Operating	Infrared automatic, self adjusting
Detection	Adjustable from 51 to 330 mm, standard 150 ± 10 mm
Timing	Safety shut-off after 60 seconds without interruption
Drip proof	IP21
Electrical isolation	Class 1
Weight	11.6 kg
Dimensions	W250 x D179 x H513 mm

GENERAL SAFETY INFORMATION

DANGER

- Incorrect earthing can cause serious electric shock.
- Electrical connexion with three cables, including an earthing cable connected to the hand dryer base.

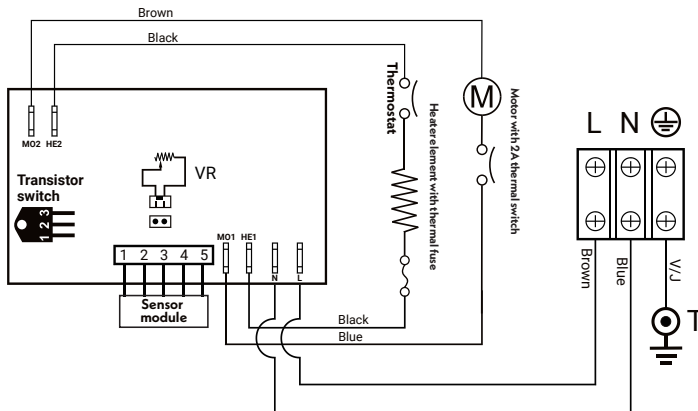
WARNING

- Installation by qualified workers only.
- Use 2.5 mm² electrical cables in accordance with current standards.
- Protect the device with a 30 mA residual current device (RCD).
- Switch off the power supply before installation or maintenance.

NOTE

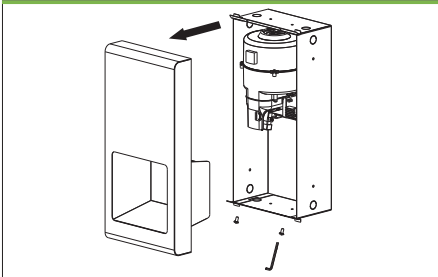
- If the power supply cable is damaged, it must be replaced by the manufacturer, their distributor or a qualified professional to avoid any risk. Disconnect only the fixed cable, following the applicable electrical connection regulations.
- This device may be used by **children aged 8 year** or above and by persons with reduced physical, sensory or mental capabilities, or lack of experience and knowledge, provided they have been given supervision or instruction concerning the safe use of the device **and understand the hazards involved**.
- Children should be supervised to ensure that they do not play with the device.
- **Cleaning and maintenance by the user shall not be performed by children without supervision.**

CIRCUIT DIAGRAM

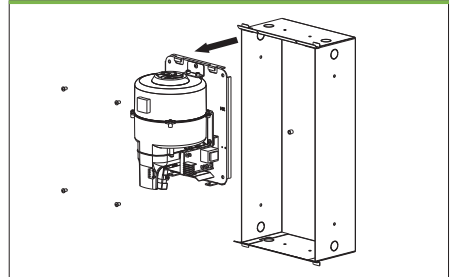


INSTALLATION

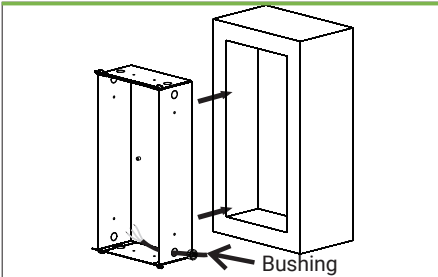
1 - REMOVE AND KEEP THE TWO SCREWS AND THE COVER



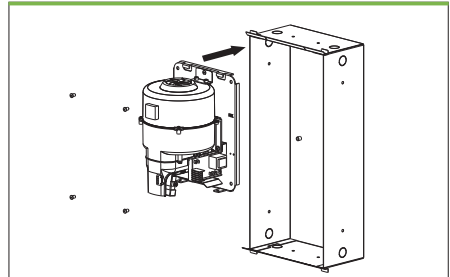
2 - REMOVE THE MAIN UNIT FROM THE RECESSED HOUSING



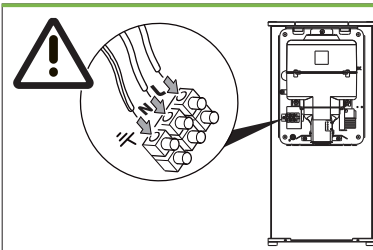
3 - INSERT THE BUSHING IN THE SIDE HOLE OF THE RECESSED BOX. INSERT THE HOUSING INTO THE WALL AND FIX IT IN PLACE.



4 - PUT BACK THE MAIN UNIT INTO THE RECESSED HOUSING.



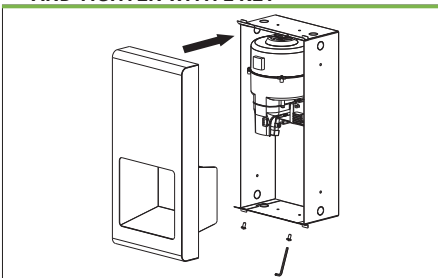
5 - MAKE THE CONNECTIONS AS FOLLOWS:



- Connect the fase wire (colored black, brown or dark) to the terminal block marqué « L ».
- Connect the neutral wire (colored white, grey, blue or light) to the terminal block marqué « N ».
- Connect the ground wire (colored green or green-yellow) to the earthing screw marked « ⊕ ».

Note that the colors of the fase and neutral wires depend on the voltage of the power supply.

6 - PUT THE FRONT COVER BACK ON AND TIGHTEN WITH L KEY



RECOMMENDED HEIGHTS

Men / Women	1168 mm
Children 4-7 years	838 mm
Children 8-10 years	940 mm
Children 11-13 years	1041 mm
Children 14-16 years	1143 mm
P.R.M	1016 mm

(from bottom edge of dryer above finished floor)

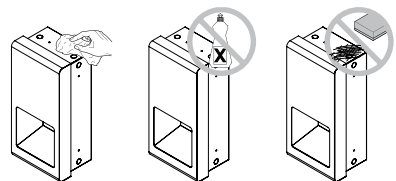
OPERATION

- Touch-free.
- Shake excess water from hands.
- Place hands under the air outlet to start operation.
- Rub hands lightly and rapidly.
- Stops automatically after hands are removed.

CLEANING AND MAINTENANCE

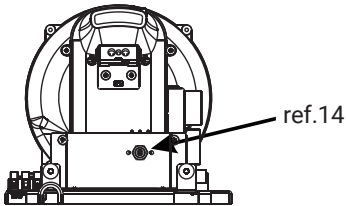
Regular cleaning is recommended to ensure optimum performance

- Disconnect the electrical supply.
- Remove the 2 cover-screws and the cover.
- Clean all the dust inside the hand dryer.
- Wipe the cover with a damp cloth and mild cleaning solution. Do not soak.
- Never use abrasive to clean the cover.
- Put the cover back on. Do not over tighten the screws.



SETTINGS ADJUSTMENTS

Disconnect the power supply, remove the cover by unscrewing the 2 screws.

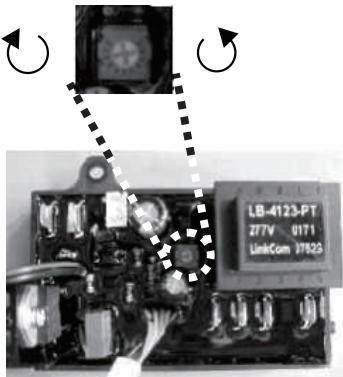


> Hot air speed and sound level adjustment

Remove the cover. The power control potentiometer (ref. 14) is visible. Use a small flat screwdriver, turn gently clockwise to increase, and counterclockwise to decrease.

(Warning: DO NOT FORCE ANY FURTHER TURN)

Please note that at minimum power, the device may not start if the voltage is low.



> Sensor range adjustment

Standard range 150 ± 10 mm.

Adjustable from 51 to 330 mm.

Use a small Phillips screwdriver:

- Turn it clockwise to increase (+) ↻
- Turn it counterclockwise to decrease (-) ↻

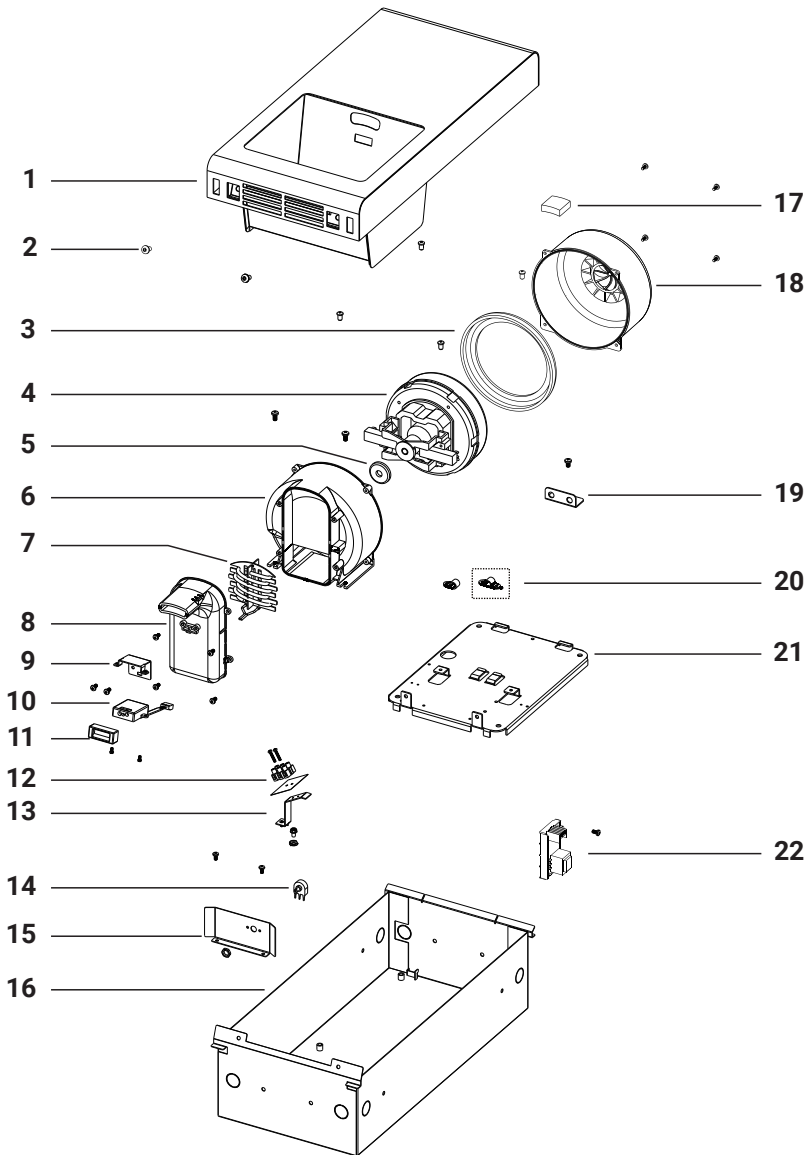
Turn gently. Do not force further.

TROUBLESHOOTING

PROBLEM	TROUBLESHOOTING FOR INITIAL INSTALLATION FAILURE
The hand dryer does not run	Ensure that the breaker supplying the dryer is engaged. If it is, isolate the power and remove the hand dryer cover. Taking appropriate precautions to avoid shock hazard, reconnect the power and check for voltage at the block terminal. Check that the connections are made correctly.
It cycles by itself or runs continuously	Ensure that there are no obstructions in front of or on the sensor. Clean the infrared sensor. If problem persists, replace sensor.
Muffled sound or does not run for complete cycle	Ensure that the power supply is correct following the hand dryer label. The hand dryer will make a loud humming noise if the input voltage is too high. Replace damaged elements (PCB and sensor).
It runs but weak airflow	Ensure that the power supply is correct. The dryer will run weakly if the input voltage is too low. Correct the power supply as required.

PROBLEM	TROUBLESHOOTING FOR IN SERVICE FAILURE
The hand dryer does not run	Ensure that the breaker supplying the dryer is operational. If it is, isolate the power and remove the hand dryer cover. Replace PCB and sensor. Taking appropriate precautions to avoid shock hazard, reconnect the power and check for voltage at the block terminal.
Very short detection range	Ensure that there are no obstructions in front of or on the sensor. Clean the infrared sensor. If problem persists, isolate the power and remove the hand dryer cover. Taking appropriate precautions, reconnect the dryer and gently adjust the sensitivity (yellow axis blue square on the PCB) in order to increase the sensor range. If problem persists, change PCB and sensor.
The heater heats up but no airflow	Unplug the power cord. Remove the cover and open the blower housing. Replace the hand dryer motor.
Blows cold air	Unplug the power cord. Remove the cover and open the blower housing. Test the open circuit thermostat. Check the heater element for signs of burning and/or damage. Replace damaged elements.
Weak airflow	Check that the air outlet is unobstructed. If there are not, unplug the cord. Remove the cover. Remove dust, dirt built-up on ventilation slits. Check the speed VR. Open the blower housing. Check motor brushes for wear (≤ 10 mm of graphite) and replace if necessary.

SPARE PARTS LIST



SPARE PARTS LIST

N°	DESCRIPTION
01	Cover
02	Hex security screw
03	Rubber motor seal (large)
04	Motor
05	Rubber motor seal (small)
06	Blower housing (bottom)
07	Heater element
08	Air outlet
09	Sensor bracket
10	Sensor module
11	Sensor protection
12	Terminal block
13	Terminal block bracket
14	100K variable heater element (220-240V)
15	Heater element bracket
16	Recessed housing
17	Buffer seal
18	Blower housing (top)
19	Blower housing bracket
20	Cable clamp
21	Plate
22	Electronic board (PCB)

LIMITED WARRANTY

This hand dryer is covered by a 3-year warranty from the date of purchase.

If a defect is reported during the normal usage period, you are entitled, at SUPRATECH's discretion, to either replacement or repair of the defective parts due to material or manufacturing defects.

SUPRATECH will not be responsible for any labour, installation or other additional or indirect costs other than those specified above.

In no event shall SUPRATECH's liability exceed the purchase price of the product.

This warranty does not cover breakdowns due to incorrect installation or maintenance, normal wear and tear.

This disclaimer of warranty includes, among others:

- Incorrect installation.
- Improper use, modifications, defects or lack of maintenance.
- Wear parts.
- Vandalism.

Failure to comply with the safety precautions and/or installation recommendations described in this installation guide will void the warranty.

For all warranty claim, please contact your plumbing contractor, dealer or SUPRATECH directly.

Please be sure to provide all pertinent information regarding your claim: complete description of the problem, reference and model number, proof of purchase and installation date.

SUPRATECH

AUTOMATED SYSTEMS - SANITARY ACCESSORIES - STAINLESS STEEL SANITARY WARE

2, rue des Cyprès - 37240 Bossée - France
Tel. +33 (0)2 47 92 23 31 - info@autosanit.com
www.autosanit.com

