

# **SUPRATECH**

*HYGIENE ON THE MOVE!*



## **COMPACT**

**HIGH-SPEED AUTOMATIC  
HAND DRYER**

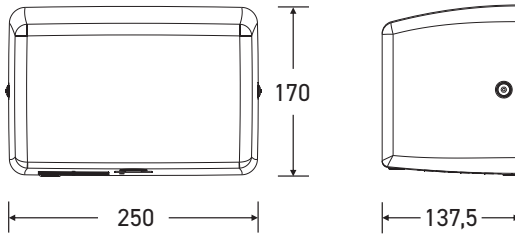
---

INSTALLATION AND MAINTENANCE GUIDE

---

**COMPACT high-speed hand dryer**

Ref. **SM-4001 / SM-4002 / SM-4003**



**TECHNICAL SPECIFICATIONS**

<b>Operating Voltage</b>	220-240 Vac, 50Hz or 60 Hz frequency, 4 A, 840-1000 W
<b>Air output temperature</b>	55°C - Ambient temperature 25°C (max., adjustable)
<b>Air speed output</b>	52 - 90 m/s
<b>Air flow rate</b>	102 m³/h
<b>Motor</b>	325 - 500 W, 22 000 - 29 000 R.P.M, brush type
<b>Heater element</b>	500 W, On: 500 W, Off: 0 W
<b>Heater thermal protection</b>	Auto resetting thermostat turns unit off at 85°C, thermal fuse cuts unit off at 142°C
<b>Drying time</b>	Less than 10 - 15 seconds
<b>Stand-by power</b>	Less than 0.5 W
<b>Circuit operation</b>	Infrared automatic, self-adjusting
<b>Sensor range</b>	Standard 170 mm ± 20 mm. Adjustable 100 up to 230 mm.
<b>Timing protection</b>	60 seconds auto shut off
<b>Drip proof</b>	IP11 or IP13 (optional)
<b>Isolation</b>	Class 1
<b>Weight</b>	3.8 kg (4.2 kg shipping weight)

**> FINISHES**

- SM-4001 - brushed stainless steel (th.1.2 mm)
- SM-4002 - bright stainless steel (th.1.2 mm)
- SM-4003 - white epoxy steel (th. 1.2 mm)

# GENERAL SAFETY INFORMATION

## DANGER

- Failure to properly ground unit could result in severe electric shock.
- Electrical connection via 3-wires, with the ground wire connected to the dryer's plate.

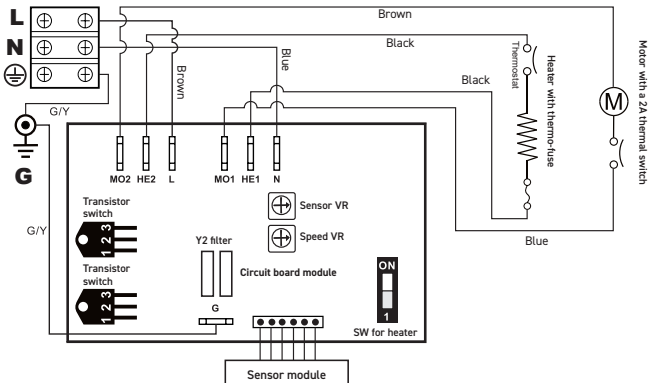
## WARNING

- Installation by qualified service personnel only.
- Use 2.5 mm<sup>2</sup> electrical cables in accordance with current standards.
- Shut off the power supply before installation or maintenance.

## NOTES

- Installation of this dryer above a washbasin isn't recommended.  
If installed above a washbasin, ensure there is no reflection.
- If the power supply cord is damaged, it must be replaced by the manufacturer or its distributor or a qualified agent in order to avoid any hazard. Disconnect the fixed wired only in accordance with the wiring rules.
- This device may be used by children aged 8 year or above and by persons with reduce physical, sensory or mental capabilities, or lack of experience and knowledge, provided they have been given supervision or instruction concerning the safe use of the device and understand the hazards involved.
- Children shall not play with the device.
- Cleaning and user maintenance shall not be carried out by children without supervision.

## CIRCUIT DIAGRAM

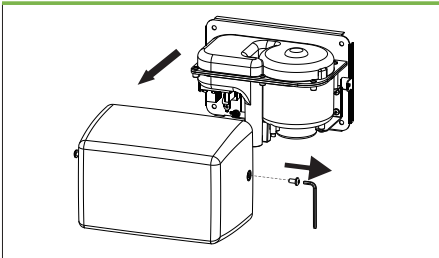


## INSTALLATION

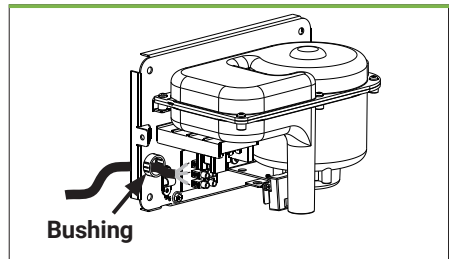
1. Ensure the power supply breaker is switched off.  
Installation shall be carried out in accordance with current local electrical regulations and by a qualified electrician only.
2. Place the template against the wall at the desired height (see installation height recommendations) and mark the locations of the four fixing holes and electrical wire entry point.

**NOTE:** The spacing between 2 hand dryers should be at least 610 mm.

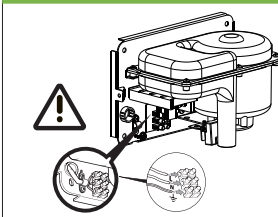
### 1 - REMOVE AND PUT ASIDE THE 2 SCREWS AND THE COVER



### 2 - INSERT THE POWER SUPPLY CORD INTO THE BUSHING



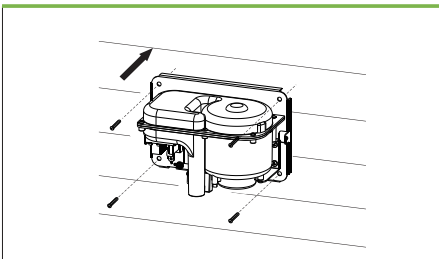
### 3 - CONNECT THE WIRES INTO THE TERMINAL



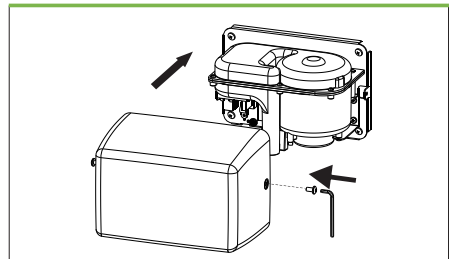
- A. Connect the live wire (colored red, brown or white) to the terminal block marked "L".
- B. Connect the neutral wire (colored black or blue) to the terminal block marked "N".
- C. Connect the ground wire (colored green or green and yellow) to the green screw marked "G".

**Note that the colors of the live and neutral wires depend on the voltage of the power supply.**

### 4 - FIX THE BASE PLATE TO THE WALL WITH 4 SCREWS OF Ø6 X 38 MM DIMENSION



### 5 - PUT THE FRONT COVER BACK ON AND TIGHTEN WITH L KEY



## RECOMMENDED HEIGHTS

---

<b>Men</b>	1000 mm
<b>Women</b>	960 mm
<b>Children 4-7 years</b>	812 mm
<b>Children 8-10 years</b>	860 mm
<b>Children 11-13 years</b>	910 mm
<b>Children 14-16 years</b>	960 mm
<b>P.R.M</b>	860 mm

*(from bottom edge of dryer above finished floor)*

## OPERATION

---

- Touch-free.
- Shake excess water from hands.
- Place hands under the air outlet to start operation.
- Rub hands lightly and rapidly.
- Stops automatically after hands are removed.

## CLEANING AND MAINTENANCE

---

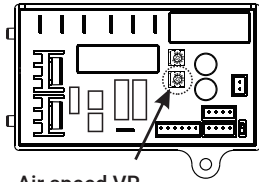
### **Regular cleaning is recommended to ensure optimum performance**

- Disconnect the electrical supply.
- Remove the 2 cover-screws and the cover
- Clean all the dust inside the hand dryer
- Wipe the cover with a damp cloth and mild cleaning solution. Do not soak.
- Never use abrasive to clean the cover.
- Put the cover back on. Do not over tighten the screws.



## SETTINGS ADJUSTMENTS

Disconnect the power supply, remove the cover by unscrewing the 2 screws.

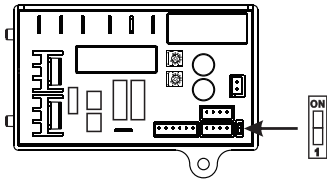


Air speed VR

### > Hot air speed adjustment

Use a small Phillips screwdriver  
(do not force) :

- Turn it clockwise to increase (+) ↻
- Turn it counterclockwise to decrease (-) ↻



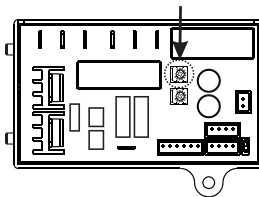
### > Hot / ambient air switch

Use a small flat screwdriver:

- "ON" = hot air
- "1" = ambient air

It helps prevent overheating during hot periods and reduces electric consumption.

Sensor range VR



### > Sensor range adjustment

Standard range 170 ±20 mm.  
Adjustable from 100 to 230 mm.

Use a small Phillips screwdriver:

- Turn it clockwise to increase (+) ↻
- Turn it counterclockwise to decrease (-) ↻

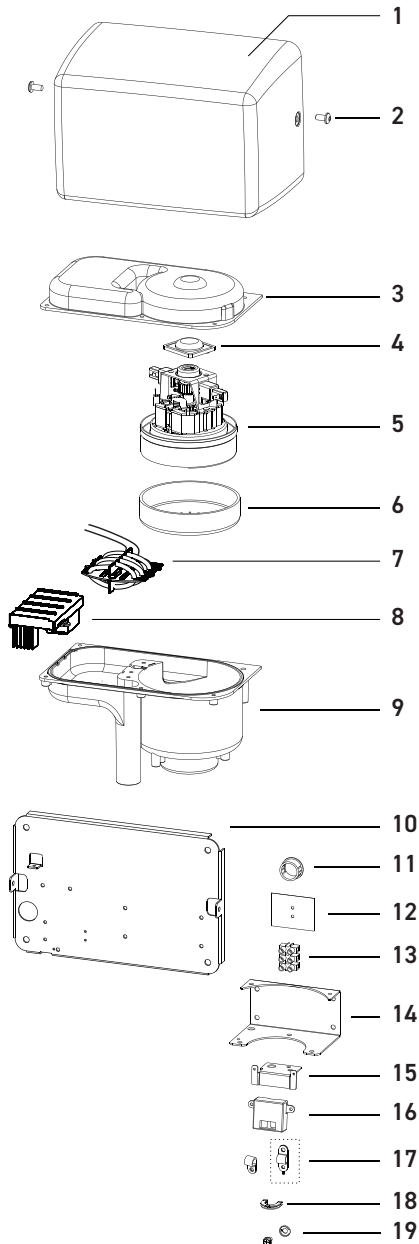
Turn gently. Do not force further.

## TROUBLESHOOTING

PROBLEM	TROUBLESHOOTING FOR INITIAL INSTALLATION FAILURE
<b>The hand dryer does not run</b>	Ensure that the breaker supplying the dryer is engaged. If it is, isolate the power and remove the hand dryer cover. Taking appropriate precautions to avoid shock hazard, reconnect the power and check for voltage at the block terminal. Check that the connections are made correctly.
<b>It cycles by itself or runs continuously</b>	Ensure that there are no obstructions in front of or on the sensor. Clean the infrared sensor. If problem persists, replace sensor.
<b>Muffled sound or does not run for complete cycle</b>	Ensure that the power supply is correct following the hand dryer label. The hand dryer will make a loud humming noise if the input voltage is too high. Replace damages elements (PCB and sensor).
<b>It runs but weak airflow</b>	Ensure that the power supply is correct. The dryer will run weakly if the input voltage is too low. Correct the power supply as required.

PROBLEM	TROUBLESHOOTING FOR IN SERVICE FAILURE
<b>The hand dryer does not run</b>	Ensure that the breaker supplying the dryer is operational. If it is, isolate the power and remove the hand dryer cover. Replace PCB and sensor. Taking appropriate precautions to avoid shock hazard, reconnect the power and check for voltage at the block terminal.
<b>Very short detection range</b>	Ensure that there are no obstructions in front of or on the sensor. Clean the infrared sensor. If problem persits, isolate the power and remove the hand dryer cover. Taking appropriate precautions, reconnect the dryer and gently adjust the sensitivity (yellow axis blue square on the PCB) in order to increase the sensor range. If problem persists, change PCB and sensor.
<b>The heater heats up but no airflow</b>	Unplug the power cord. Remove the cover and open the blower housing. Replace the hand dryer motor.
<b>Blows cold air</b>	Unplug the power cord. Remove the cover and open the blower housing. Test the open circuit thermostat. Check the heater element for signs of burning and/or damage. Replace damaged elements.
<b>Weak airflow</b>	Check that the air outlet is unobstructed. If there are not, unplug the cord. Remove the cover. Remove dust, dirt built-up on ventilation slits. Check the speed VR. Open the blower housing. Check motor brushes for wear ( $\leq 10$ mm of graphite) and replace if necessary.

## SPARE PARTS LIST



N°	DESCRIPTION
01	Cover
02	Safety hexagonal screws (x2)
03	Blower housing (top)
04	Rubber motor seal (small)
05	Motor
06	Rubber motor seal (small)
07	Heater element
08	Electronic board (PCB)
09	Blower housing (bottom)
10	Plate
11	Nylon bushing with holes
12	Mylar insulator
13	Terminal
14	Blower housing bracket
15	Sensor bracket
16	Sensor
17	Cable clamp
18	Cable protection
19	Earthing screw

## LIMITED WARRANTY

---

This hand dryer is covered by a 3-year warranty from the date of purchase.

If a defect is reported during the normal usage period, you are entitled, at SUPRATECH's discretion, to either replacement or repair of the defective parts due to material or manufacturing defects.

SUPRATECH will not be responsible for any labour, installation or other additional or indirect costs other than those specified above.

In no event shall SUPRATECH's liability exceed the purchase price of the product.

This warranty does not cover breakdowns due to incorrect installation or maintenance, normal wear and tear.

This disclaimer of warranty includes, among others:

- Incorrect installation.
- Improper use, modifications, defects or lack of maintenance.
- Wear parts.
- Vandalism.

Failure to comply with the safety precautions and/or installation recommendations described in this installation guide will void the warranty.

For all warranty claim, please contact your plumbing contractor, dealer or SUPRATECH directly.

Please be sure to provide all pertinent information regarding your claim:

complete description of the problem, reference and model number, proof of purchase and installation date.





# SUPRATECH

AUTOMATED SYSTEMS - SANITARY ACCESSORIES - STAINLESS STEEL SANITARY WARE

2, rue des Cyprès - 37240 Bossée - France  
Tel. +33 (0)2 47 92 23 31 - [info@autosanit.com](mailto:info@autosanit.com)  
[www.autosanit.com](http://www.autosanit.com)

