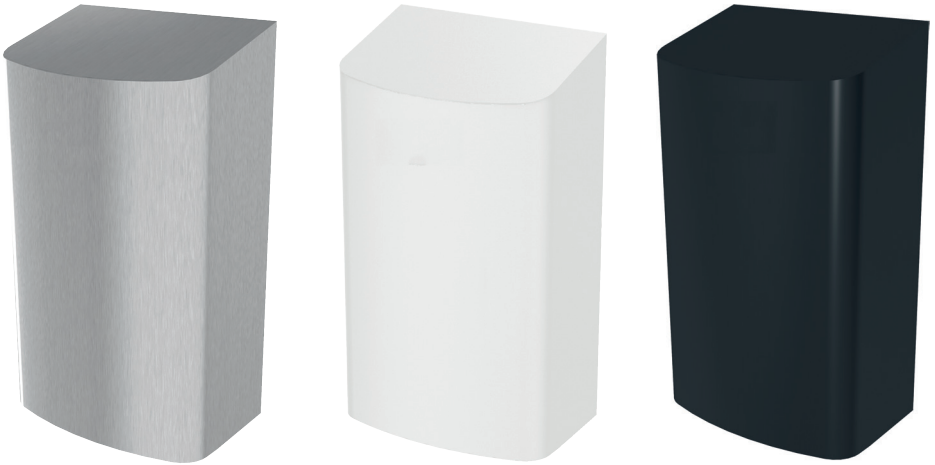


SUPRATECH

HYGIENE ON THE MOVE!



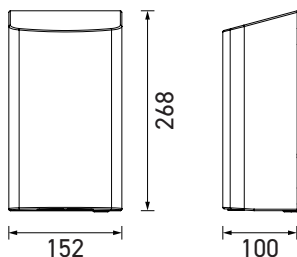
POCK'AIR

**HIGH-SPEED ELECTRICAL
HAND DRYER**

INSTALLATION AND MAINTENANCE GUIDE

High-speed stainless steel hand dryer POCK'AIR

Ref. **SM-6001** / **SM-6003** / **SM-6004**



TECHNICAL FEATURES

Operating Voltage	220-240 V, 50 or 60 Hz frequency, 0.84 - 1.00 kW
Cover	White or black steel finish or brushed 304 stainless steel. 1,2 mm thick.
Air output temperature	55°C - Ambient temperature 25°C (max., adjustable)
Air speed output	65-92 m/s
Air flow	89 m³/h
Moteur	22-29K RPM adjustable brush type, dual ball bearing
Motor thermal protection	Auto resetting thermostat turns unit off at 95°C
Heater element	325-500 W adjustable, ON/OFF switch. Auto resetting thermostat turns unit off at 85°C, thermal fuse cuts unit off at 142°C.
Drying time	Less than 15 seconds
Stand-by power	Less than 0,5 W
Circuit operation	Infrared automatic, self-adjusting
Sensor range	Adjustable from 100 to 230 mm, standard 170±20 mm
Timing protection	60 seconds auto shut off
Isolation	Class 1
Weight	3,3 kg (3,7 kg shipping weight)
Dimensions	W152 x D100 x H268 mm

> FINISHES

- SM-6001 - brushed 304 stainless steel (1,2 mm)
- SM-6003 - white steel finish (1,2 mm)
- SM-6004 - matte black steel finish (1,2 mm)

GENERAL SAFETY INFORMATION

DANGER

- Failure to properly ground unit could result in severe electric shock.
- Electrical connection via 3-wires, with the ground wire connected to the dryer's plate.

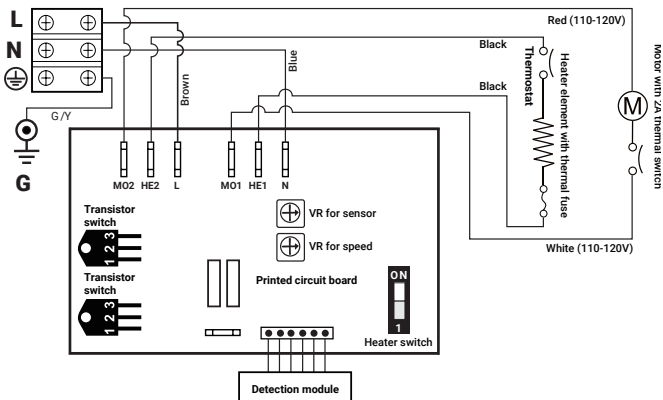
WARNING

- Installation by qualified service personnel only.
- Use 2.5 mm² electrical cables in accordance with current standards.
- Shut off the power supply before installation or maintenance.

NOTES

- Installation of this dryer above a washbasin isn't recommended.
If installed above a washbasin, ensure there is no reflection.
- If the power supply cord is damaged, it must be replaced by the manufacturer or its distributor or a qualified agent in order to avoid any hazard. Disconnect the fixed wired only in accordance with the wiring rules.
- This device may be used by children aged 8 year or above and by persons with reduce physical, sensory or mental capabilities, or lack of experience and knowledge, provided they have been given supervision or instruction concerning the safe use of the device and understand the hazards involved.
- Children shall not play with the device.
- Cleaning and user maintenance shall not be carried out by children without supervision.

CIRCUIT DIAGRAM

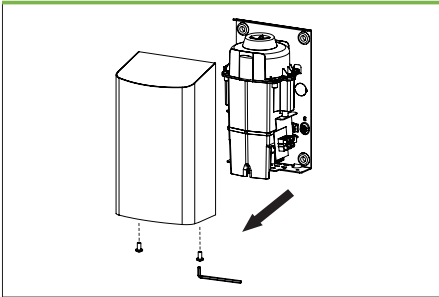


INSTALLATION

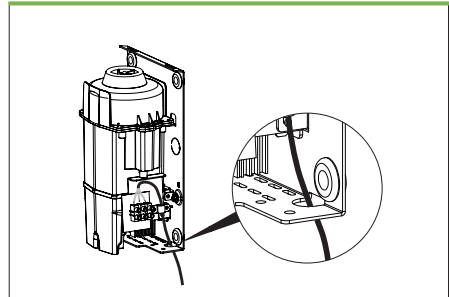
1. Ensure the power supply breaker is switched off.
Installation shall be carried out in accordance with current local electrical regulations and by a qualified electrician only.
2. Place the template against the wall at the desired height (see installation height recommendations) and mark the locations of the four fixing holes and electrical wire entry point.

NOTE: The spacing between 2 hand dryers should be at least 610 mm.

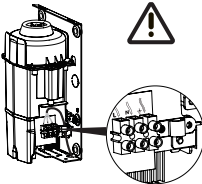
1 - REMOVE AND PUT ASIDE THE 2 SCREWS AND THE COVER



2 - INSERT THE POWER SUPPLY CORD INTO THE BUSHING



3 - CONNECT THE WIRES INTO THE TERMINAL

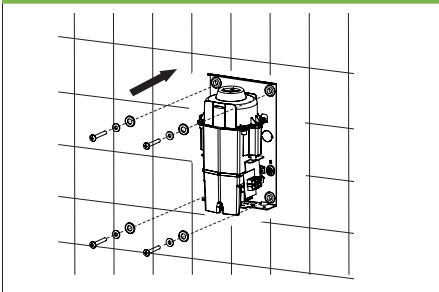


⚠

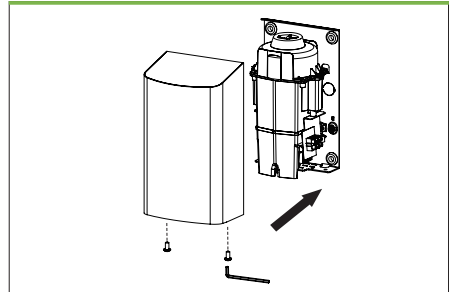
- A. Connect the live wire (colored black, brown or dark) to the terminal block marked "L".
- B. Connect the neutral wire (colored white, grey, blue or light) to the terminal block marked "N".
- C. Connect the ground wire (colored green or green and yellow) to the green screw marked "⊕".

Note that the colors of the live and neutral wires depend on the voltage of the power supply.

4 - FIX THE BASE PLATE TO THE WALL WITH 4 SCREWS OF Ø6 X 38 MM DIMENSION



5 - PUT THE FRONT COVER BACK ON AND TIGHTEN WITH L KEY



RECOMMENDED HEIGHTS

Men	1270 mm
Women	1194 mm
Children 4-7 years	889 mm
Children 8-10 years	991 mm
Children 11-13 years	1092 mm
Children 14-16 years	1194 mm
P.R.M	1016 mm

(from bottom edge of dryer above finished floor)

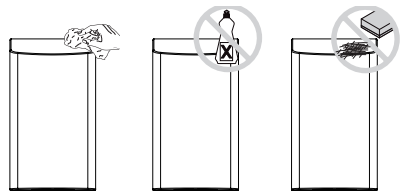
OPERATION

- Touch-free.
- Shake excess water from hands.
- Place hands under the air outlet to start operation.
- Rub hands lightly and rapidly.
- Stops automatically after hands are removed.

CLEANING AND MAINTENANCE

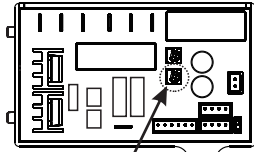
Regular cleaning is recommended to ensure optimum performance

- Disconnect the electrical supply.
- Remove the 2 cover-screws and the cover
- Clean all the dust inside the hand dryer
- Wipe the cover with a damp cloth and mild cleaning solution. Do not soak.
- Never use abrasive to clean the cover.
- Put the cover back on.
Do not over tighten the screws.



SETTINGS ADJUSTMENTS

Disconnect the power supply, remove the cover by unscrewing the 2 screws.

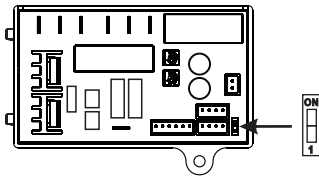


Air speed variator

> Hot air speed adjustment

Use a small Phillips screwdriver (do not force) :

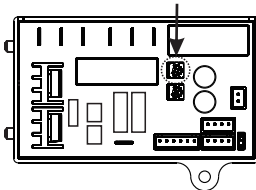
- Turn it clockwise to increase (+) ↻
- Turn it counterclockwise to decrease (-) ↻



> Hot air / ambient air switch

- ON : hot air
- OFF : ambient air

Sensor range variator



> Sensor range adjustment

Standard range 170 ± 20 mm.
Adjustable from 100 to 230 mm.

Use a small Phillips screwdriver:

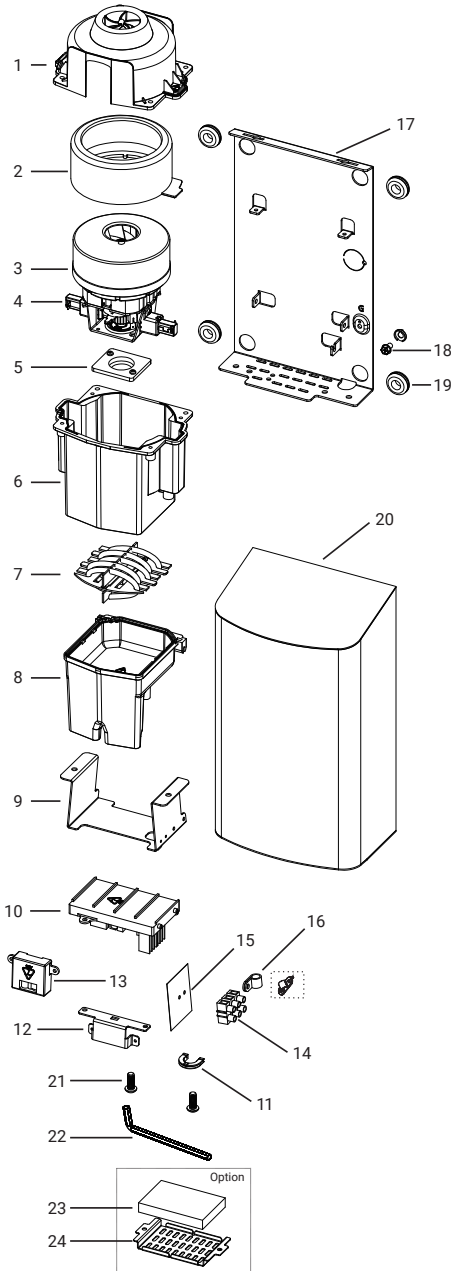
- Turn it clockwise to increase (+) ↻
- Turn it counterclockwise to decrease (-) ↻

TROUBLESHOOTING

PROBLEM	TROUBLESHOOTING FOR INITIAL INSTALLATION FAILURE
The hand dryer does not run	Ensure that the breaker supplying the dryer is engaged. If it is, isolate the power and remove the hand dryer cover. Taking appropriate precautions to avoid shock hazard, reconnect the power and check for voltage at the block terminal. Check that the connections are made correctly.
It cycles by itself or runs continuously	Ensure that there are no obstructions in front of or on the sensor. Clean the infrared sensor. If problem persists, replace sensor.
Muffled sound or does not run for complete cycle	Ensure that the power supply is correct following the hand dryer label. The hand dryer will make a loud humming noise if the input voltage is too high. Replace damaged elements (PCB and sensor).
It runs but weak airflow	Ensure that the power supply is correct. The dryer will run weakly if the input voltage is too low. Correct the power supply as required.

PROBLEM	TROUBLESHOOTING FOR IN SERVICE FAILURE
The hand dryer does not run	Ensure that the breaker supplying the dryer is operational. If it is, isolate the power and remove the hand dryer cover. Replace PCB and sensor. Taking appropriate precautions to avoid shock hazard, reconnect the power and check for voltage at the block terminal.
Very short detection range	Ensure that there are no obstructions in front of or on the sensor. Clean the infrared sensor. If problem persists, isolate the power and remove the hand dryer cover. Taking appropriate precautions, reconnect the dryer and gently adjust the sensitivity (yellow axis blue square on the PCB) in order to increase the sensor range. If problem persists, change PCB and sensor.
The heater heats up but no airflow	Unplug the power cord. Remove the cover and open the blower housing. Replace the hand dryer motor.
Blows cold air	Unplug the power cord. Remove the cover and open the blower housing. Test the open circuit thermostat. Check the heater element for signs of burning and/or damage. Replace damaged elements.
Weak airflow	Check that the air outlet is unobstructed. If there are not, unplug the cord. Remove the cover. Remove dust, dirt built-up on ventilation slits. Check the speed VR. Open the blower housing. Check motor brushes for wear (≤ 30 mm of graphite) and replace if necessary.

SPARE PARTS LIST



N°	DESCRIPTION
01	Blower housing (top)
02	Motor rubber (large)
03	Motor
04	Motor brushes
05	Motor rubber (small)
06	Blower housing (bottom)
07	Heater 240 V 500 W 115.2Ω
08	Air outlet
09	Air outlet bracket
10	PCB
11	Cable protection
12	Sensor bracket
13	Detection module
14	Terminal
15	Mylar insulator
16	Cable clamp
17	Plate
18	Earthing screw
19	Rubber spacer (x4)
20	Cover
21	Security hex screw (x2)
22	L key
23	Filter kit (optional)
24	Filter bracket (optional)

LIMITED WARRANTY

This hand dryer is covered by a 3-year warranty from the date of purchase.

If a defect is reported during the normal usage period, you are entitled, at SUPRATECH's discretion, to either replacement or repair of the defective parts due to material or manufacturing defects.

SUPRATECH will not be responsible for any labour, installation or other additional or indirect costs other than those specified above.

In no event shall SUPRATECH's liability exceed the purchase price of the product.

This warranty does not cover breakdowns due to incorrect installation or maintenance, normal wear and tear.

This disclaimer of warranty includes, among others:

- Incorrect installation.
- Improper use, modifications, defects or lack of maintenance.
- Wear parts.
- Vandalism.

Failure to comply with the safety precautions and/or installation recommendations described in this installation guide will void the warranty.

For all warranty claim, please contact your plumbing contractor, dealer or SUPRATECH directly.

Please be sure to provide all pertinent information regarding your claim:

complete description of the problem, reference and model number, proof of purchase and installation date.

IMPORTANT INFORMATION

This product falls within the scope of the Waste Electrical & Electronic Equipment Directive 2012/19/UE (WEEE) for the proper disposal of electrical waste. Electrical waste should not be disposed with household waste. Please recycle them where facilities exist.

SUPRATECH

AUTOMATED SYSTEMS - SANITARY ACCESSORIES - STAINLESS STEEL SANITARY WARE

2, rue des Cyprès - 37240 Bossée - France
Tel. +33 (0)2 47 92 23 31 - info@autosanit.com
www.autosanit.com

