



POCK'AIR high-speed stainless steel hand dryer

References: **SM-6001 / SM-6003 / SM-6004**

Description

ULTRA-COMPACT automatic high-speed stainless steel hand dryer. Thanks to its sleek design and accessibility for people with reduced mobility, this hand dryer is suitable for all types of washrooms, especially those with limited space.

10 cm deep for maximum space saving!

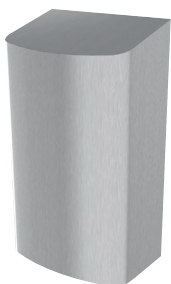
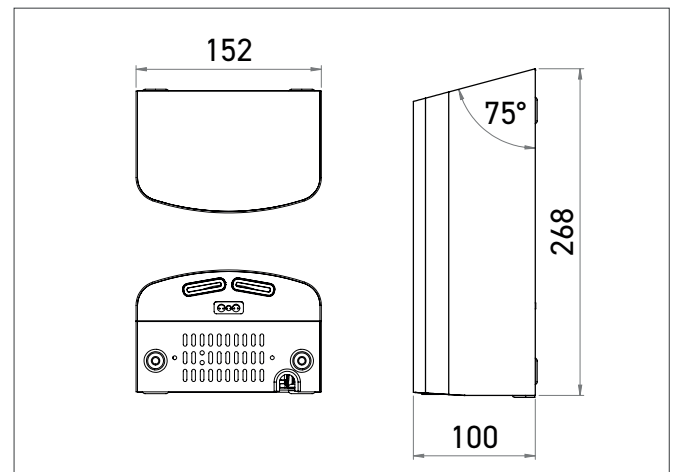
Quick and comfortable hand drying in 9 seconds. Energy-saving and easy-to-maintain design. Adjustable airflow and volume level. Blue light beam accordingly for hand placement.

Vandal-proof.

Easy to integrate in mirror cabinet unit.

Features

- Activated by self-adjusting infrared sensor.
- Sensor range 170 mm ± 20 mm, adjustable if needed.
- Operating voltage: 230 V, 50/60Hz, 0.84 – 0.92 KW.
- Compliant with ErP Directive 1275/2008 ErP (standby power consumption: 0.3-0.4W).
- 920 W nominal output (325-460W motor, 325-460 W heater element).
- Volume level 68.6 to max 72.3 dB at 1 m.
- Dries hands within 9 seconds (according to UL PCR hand dryer rule).
- Drying speed of 65-92 m/s. Airflow 89 m³/h.
- Heated or ambient air switch.
- Security stop after 60 seconds without interruption.
- Triple safety protection:
 - Auto resetting motor security thermostat at 95°C
 - Auto resetting heater element security thermostat at 85°C
 - Thermal fuse cuts unit off at 142°C.
- Stainless steel AISI 304 cover 1,2 mm thick.
- Dimensions: **W152 x D100 x H268 mm.**
- Net weight: **3.4 kg.**
- 3 year warranty. CE. Class 1. IP 24.



Ref. **SM-6001** brushed stainless steel



Ref. **SM-6003** white epoxy steel



Ref. **SM-6004** black epoxy steel



References model choices

POCK'AIR hand dryer

- **SM-6001** brushed stainless steel
- **SM-6003** white steel finish
- **SM-6004** black steel finish

Options

- Hepa filter
- PVD finish

