

# **SUPRATECH**

*HYGIENE ON THE MOVE!*

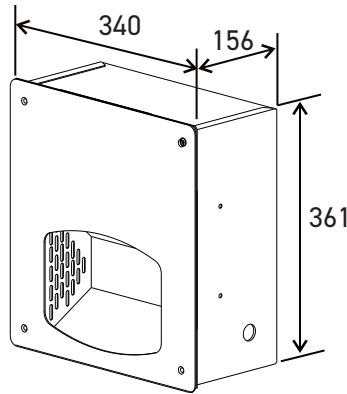


## **RECESSED ELECTRIC STAINLESS STEEL HAND DRYER**

INSTALLATION AND MAINTENANCE GUIDE

**Recessed stainless steel electric hand dryer**

Ref. **SMH-91**



**TECHNICAL FEATURES**

<b>Operating voltage</b>	220-240 V, 50Hz or 60 Hz frequency, 2200 W
<b>Air output temperature</b>	55°C - Ambient temperature 25°C
<b>Air speed output</b>	14.5 m/s
<b>Motor</b>	100 W
<b>Motor thermal protection</b>	Auto resetting thermostat turns unit off at 105°C
<b>Heater element</b>	2100 W. Auto resetting thermostat turns unit off at 87°C
<b>Drying time</b>	Less than 35 seconds
<b>Operation</b>	Infrared automatic, self-adjusting
<b>Detection</b>	Ajustable from 51 to 330 mm, standard 180±20 mm
<b>Timing</b>	60 seconds auto shut off
<b>Drip proof</b>	IP21
<b>Isolation</b>	Class 1
<b>Dimensions</b>	W340 x D156 x H361 mm
<b>Wall rough opening</b>	W323 x D156 x H346 mm
<b>Weight</b>	4.8 kg (6.6 kg shipment weight)
<b>Front panel</b>	AISI 304 stainless steel, brushed finish, th. 1.2 mm

## GENERAL SAFETY INFORMATION

---

### **DANGER**

- Failure to properly ground unit could result in severe electric shock.
- Electrical connection via 3-wires, with the ground wire connected to the dryer's plate.

### **WARNING**

- Installation by qualified service personnel only.
- Use 2.5 mm<sup>2</sup> electrical cables in accordance with current standards.
- Shut off the power supply before installation or maintenance.

### **NOTES**

- Installation of this dryer above a washbasin isn't recommended.  
If installed above a washbasin, ensure there is no reflection.
- If the power supply cord is damaged, it must be replaced by the manufacturer or its distributor or a qualified agent in order to avoid any hazard. Disconnect the fixed wired only in accordance with the wiring rules.
- This device may be used by children aged 8 year or above and by persons with reduce physical, sensory or mental capabilities, or lack of experience and knowledge, provided they have been given supervision or instruction concerning the safe use of the device and understand the hazards involved.
- Children shall not play with the device.
- Cleaning and user maintenance shall not be carried out by children without supervision.

## RECOMMENDED HEIGHTS

---

<b>Man</b>	1250 mm
<b>Woman</b>	1200 mm
<b>Children 4-7 years</b>	1050 mm
<b>Children 8-10 years</b>	1100 mm
<b>Children 11-13 years</b>	1150 mm
<b>Children 14-16 years</b>	1200 mm
<b>P.R.M.</b>	1100 mm

*(from bottom edge of dryer above finished floor)*

## OPERATION

---

- Touch-free.
- Shake excess water from hands.
- Place hands under the air outlet to start operation.
- Rub hands lightly and rapidly.
- Stops automatically after hands are removed.

## CLEANING AND MAINTENANCE

---

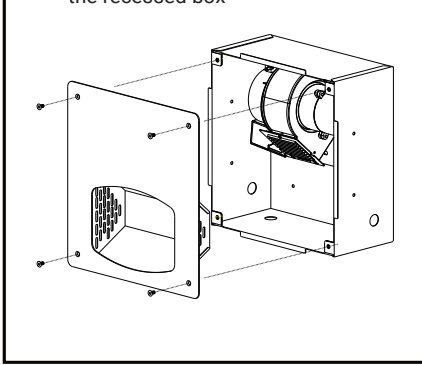
**Regular cleaning is recommended to ensure optimum performance**

- Disconnect the electrical supply.
- Remove the 2 cover-screws and the cover
- Clean all the dust inside the hand dryer
- Wipe the cover with a damp cloth and mild cleaning solution. Do not soak.
- Never use abrasive to clean the cover.
- Put the cover back on.

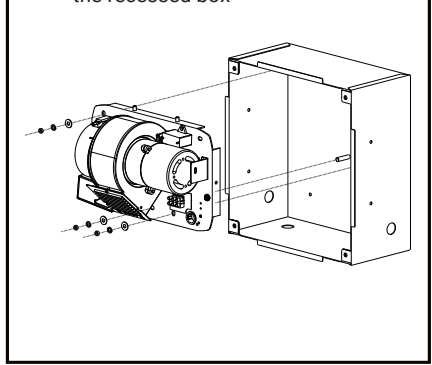


# INSTALLATION

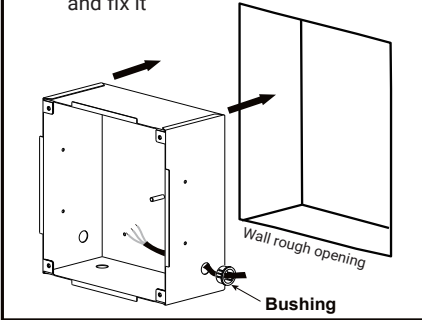
- 1** Remove the front panel from the recessed box



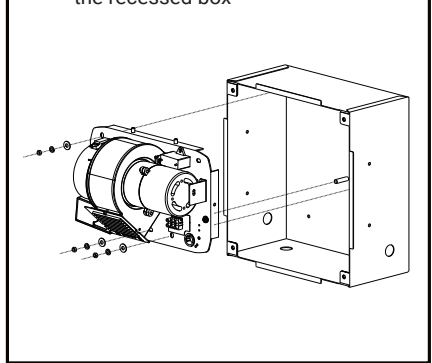
- 2** Remove the central unit from the recessed box



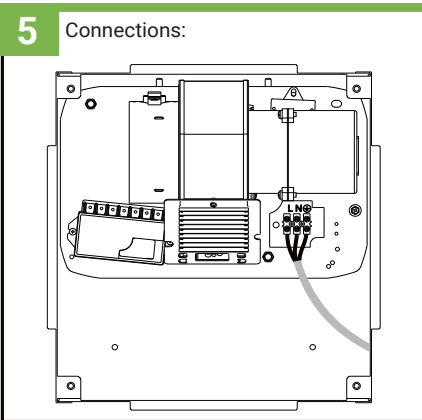
- 3** Insert the bushing into the side hole of the recessed box. Insert the recessed box into the wall and fix it



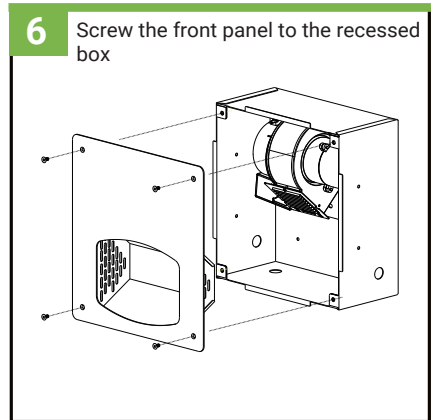
- 4** Replace and fix the central unit into the recessed box



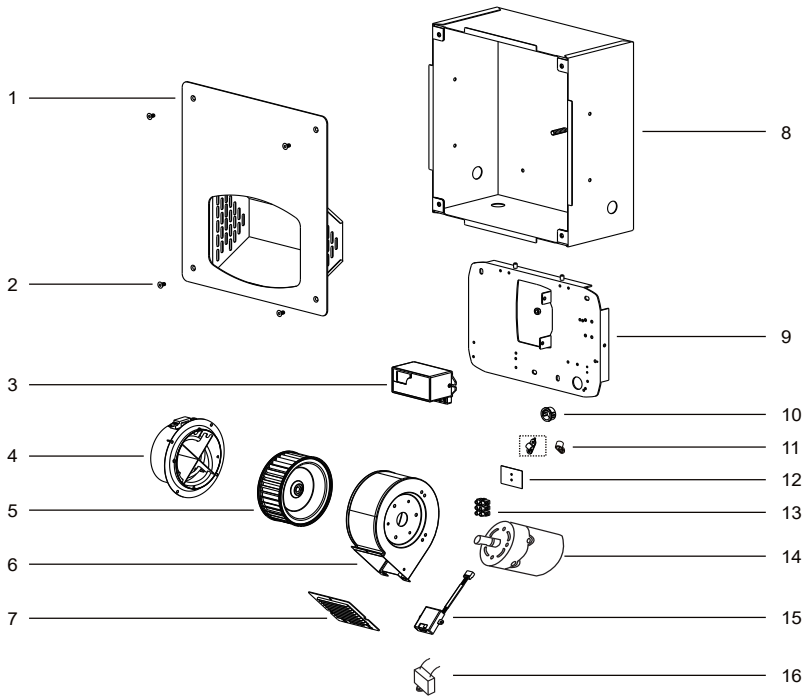
- 5** Connections:



- 6** Screw the front panel to the recessed box



# SPARE PARTS LIST



## DESCRIPTION

<b>01</b>	Front panel	<b>09</b>	Fixing plate
<b>02</b>	Fixing screw (x4)	<b>10</b>	Bushing
<b>03</b>	Timer (PCB)	<b>11</b>	Cable clamp
<b>04</b>	Heater element	<b>12</b>	Mylar insulator
<b>05</b>	Fan	<b>13</b>	Terminal
<b>06</b>	Fan housing	<b>14</b>	Motor
<b>07</b>	Air outlet guard	<b>15</b>	Detection
<b>08</b>	Recessed box	<b>16</b>	Motor capacitor

## LIMITED WARRANTY

---

This hand dryer is covered by a 3-year warranty from the date of purchase.

If a defect is reported during the normal usage period, you are entitled, at SUPRATECH's discretion, to either replacement or repair of the defective parts due to material or manufacturing defects.

SUPRATECH will not be responsible for any labour, installation or other additional or indirect costs other than those specified above.

In no event shall SUPRATECH's liability exceed the purchase price of the product.

This warranty does not cover breakdowns due to incorrect installation or maintenance, normal wear and tear.

This disclaimer of warranty includes, among others:

- Incorrect installation.
- Improper use, modifications, defects or lack of maintenance.
- Wear parts.
- Vandalism.

Failure to comply with the safety precautions and/or installation recommendations described in this installation guide will void the warranty.

For all warranty claim, please contact your plumbing contractor, dealer or SUPRATECH directly.

Please be sure to provide all pertinent information regarding your claim:

complete description of the problem, reference and model number, proof of purchase

### **IMPORTANT INFORMATION**

This product falls within the scope of the Waste Electrical & Electronic Equipment Directive 2002/92/EC (WEEE) for the proper disposal of electrical waste. Electrical waste should not be disposed with household waste. Please recycle them where facilities exist.

# SUPRATECH

AUTOMATED SYSTEMS - SANITARY ACCESSORIES - STAINLESS STEEL SANITARY WARE

2, rue des Cyprès - 37240 Bossée - France  
Tel. +33 (0)2 47 92 23 31 - [info@autosanit.com](mailto:info@autosanit.com)  
[www.autosanit.com](http://www.autosanit.com)

