

HYGISEAT floor-mounted self-cleaning S-trap WC

Reference: SUP1010



Description

Floor-mounted automatic toilet with self-cleaning, disinfection, drying, and automatic flushing after each use.

Touch-free activation by hand approach.

Dual detection option = auto-start cycle, after user departure, in the absence of voluntary activation by hand approach.

Ergonomic shape, with smooth, easy-to-clean surfaces and no areas that trap dirt or debris.

Reliable and robust system, easy installation and maintenance.

Features

Seat rotation cycle: pressure washing with a mixture of water and GERMIBLOC disinfectant, followed by drying of the seat after each use.

Cycle time: 12 seconds.

Highly waterproof IP67 detection cell, resistant to vibrations, electrical disturbances, and light interference.

Floor-standing ceramic pan, horizontal outlet.

6L tank.

Hood in composite material (sanitary gel coat).

Key-operated lock.

Unbreakable grey solid ABS seat.

230/12V power supply by external transformer.

Power consumption = 15W (less than 1W on standby).

Seat rotation stops immediately in the event of irregular movement.

Manual flush control plate in case of power outage.

Dim.: W415 x D690 x H835 mm

CE. 3 year warranty.

GERMIBLOC disinfectant product:

Cleaning, disinfecting, deodorising, and biodegradable.

Dry product presented in a 72g plastic container, easy to handle and store.

Replacement of Germibloc disinfectant product when the device emits 3 beeps, after every 1000 uses.

NFEN 1275 Fungicide Standard.

NFEN 1040 Bactericide Standard.

Connect the 12-volt power supply to a 230-volt socket concealed behind the unit. If possible, use a location protected from splashing water and theft (technical room or adjoining room, false ceiling, etc.).



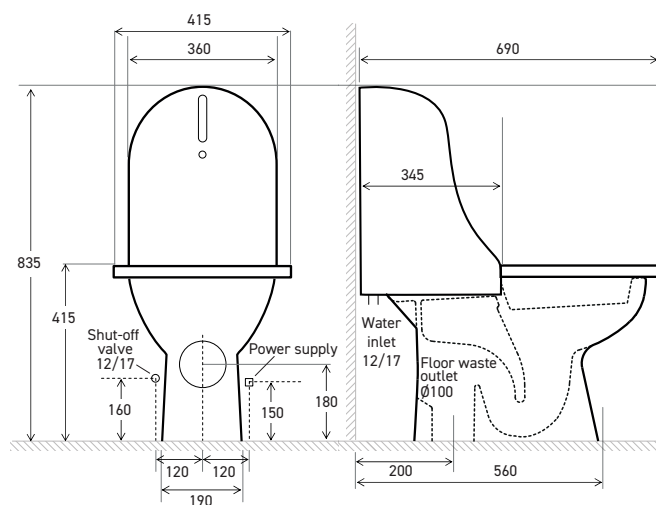
**DUAL
DETECTION**



**SEAT
CLEANLINESS**



**SIMPLIFIED
MAINTENANCE**



Reference

- SUP1010 HYGISEAT automatic toilet, vertical rear outlet

Options

- SUP1065 Dual detection by approach of the hand or when the person leaves
- SUP1000 Ceramic horizontal outlet
- SUP1020 Ceramic raised for P.M.R.
- SUP1090 Box of 4 Germibloc disinfectants