

Stainless steel wall-mounted urinal URI-ONE with automatic flushing via concealed sensor

Reference: **UR-01-TH**



Description

Round design rimless wall-hung stainless steel urinal URI-ONE with touch-free automatic flushing via concealed thermal detection = sleek aesthetics, simplified installation and vandal-proof.

The system activates flushing when it detects a temperature change (heat from urine).

Siphon-free system for maximum reliability; no risk of damage from liquids or cleaning products.

Hygiene = touch-free with elimination of unpleasant odours. Fully enclosed urinal, with concealed plumbing.

Wall-mounting or on standard urinal support frame.

Combines robustness for intensive use in public facilities and attractive design for high-end installations.

Quick and easy "Plug and Play" installation with concealed detection in the urinal: fix, connect and the urinal is operational.

ECO modes for high water savings:

ECO 1: Reduction in the number of rinsing cycles during peak usage periods (schools, theatres, stadiums...).

ECO 2: Flushing of the urinal after each use, but not always with the same water volume.

Adjustable settings depending on usage frequency.



Features

AISI 304 stainless steel, thickness 1.5/1.0 mm, brushed finish.

Anti-splash pressed bowl and vandal-proof perforated drain.

Fixing and connection via access panel with security Torx screws, easily accessible.

Adjustable rinse duration from 0.5 to 15.5 s.

Powered by 6V batteries or external 230/24V transformer. Power consumption 3W on batteries and 7W on mains.

Settings adjustable by SLD04 remote control (rinse duration, sensitivity, on/off...).

Automatic flush after 24 hours without use. Pressure 1-8 bar.

Flow rate 12 L/min. at 3 bar.

Threaded 1/2" water inlet. Horizontal outlet Ø 40 mm.

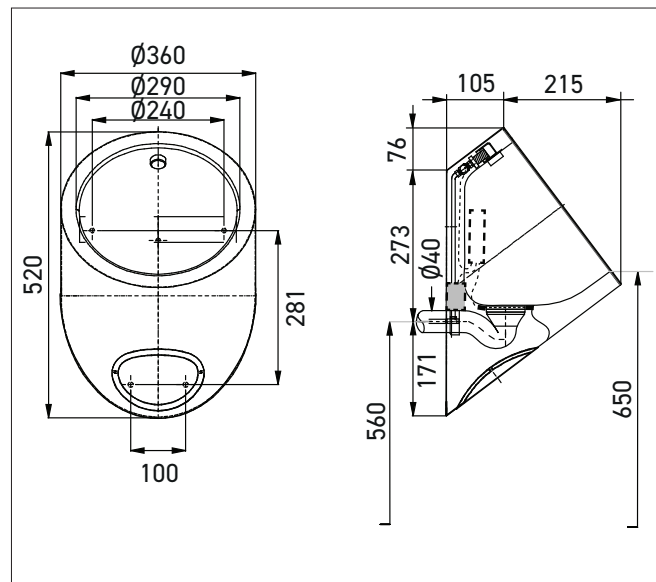
Integrated earth connection.

Compliant with standard EN 13407 for a 2L flush.

Dim. Ø 360 x D320 x H520 mm.

CE. Electronics guaranteed 5 years.

Urinal supplied with rinse nozzle, thermal sensor, solenoid valve, angled stop valve with filter, trap, batteries or transformer, and fixings.



References

URI-ONE automatic wall-mounted stainless steel urinal

- **UR-01-TH** **Mains-powered**
- **UR-01-TB** **Battery-powered**

Options

- SLD04 Settings remote control
- Visible vertical water inlet and/or visible waste outlet