

**URBA corner wall-mounted stainless steel urinal with concealed sensor detection for automatic flushing**

Reference: **UR-11A-TH**



**Description**

URBA rimless wall-mounted corner stainless steel urinal with automatic touch-free flushing via concealed thermal detection = sleek design, vandal-proof and simplified installation.

The system activates flushing when it detects a temperature change (heat from urine).

Siphon-free system for maximum reliability; no risk of damage from liquids.

Hygiene = touch-free and eliminates unpleasant odours.

Fully enclosed urinal, with concealed plumbing and an access panel below for fixing and connections.

Designed for high-end establishments that require a high level of security or subject to heavy use.

Quick "Plug and Play" installation with detection integrated into the urinal = simply fix, connect and the urinal is operational.

**ECO modes for significant water savings:**

**ECO 1:** Reduction in the number of flushes during periods of heavy use (schools, performance venues, stadiums...).

**ECO 2:** The urinal is flushed after each use, but not always with the same volume of water.

Parameters adjustable according to frequency of use.



**Features**

AISI 304 stainless steel, thickness 1.5/1.0 mm, brushed finish.

Pressed bowl with anti-splash design and vandal-proof perforated drain.

Fixing and connection via access panel, closed underside with security Torx screws.

Adjustable rinse duration from 0.5 to 15.5 s.

Powered by 6V batteries or external 230/24V transformer.

Power consumption 3W on batteries and 7W on mains.

Settings adjustable via SLD04 remote control (rinse duration, sensitivity, on/off...).

Automatic flush after 24 hours without use.

Pressure 1-8 bar. Flow rate 12 l/min. at 3 bar.

½" threaded water inlet. Horizontal outlet Ø 40 mm.

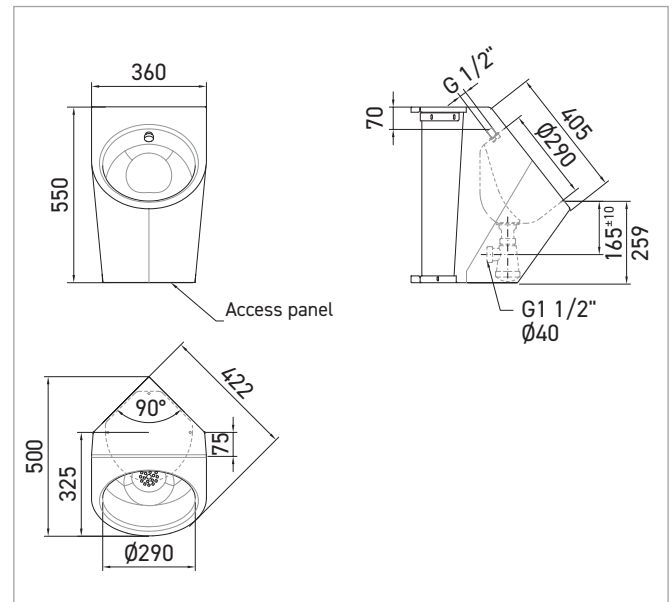
Integrated earthing.

Compliant with standard EN 13407 for a 2 L flush.

Dim. H550 x D500 x W360 mm.

CE. Electronics guaranteed for 5 years.

Urinal supplied with rinse nozzle, thermal sensor, solenoid valve, angle stop valve with filter, trap, batteries or transformer, fixings.



**References**

URBA Automatic Stainless Steel Corner Urinal

- **UR-11A-TH** Mains-operated
- **UR-11A-TB** Battery-powered

**Options**

- Visible vertical water inlet and/or visible waste outlet
- Settings remote control Ref. SLD04